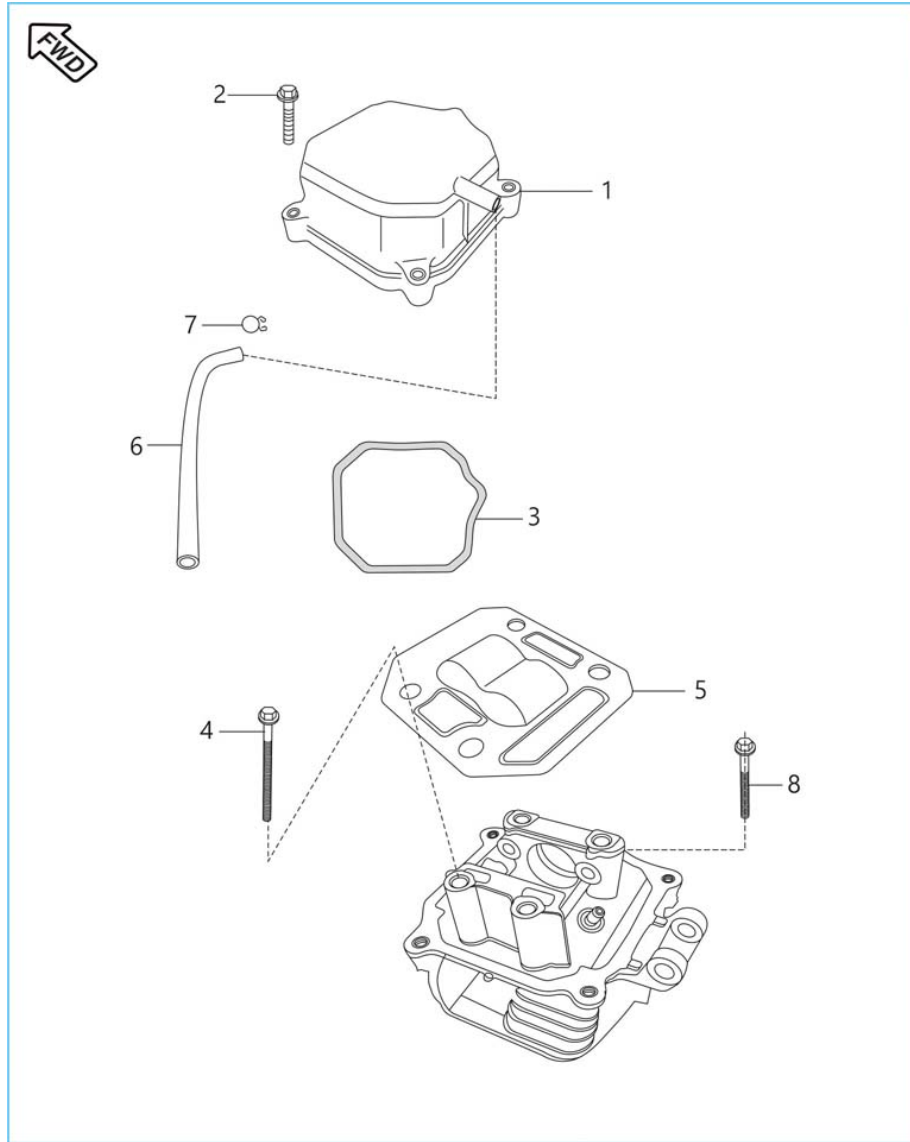


Boxer BM 100 ES

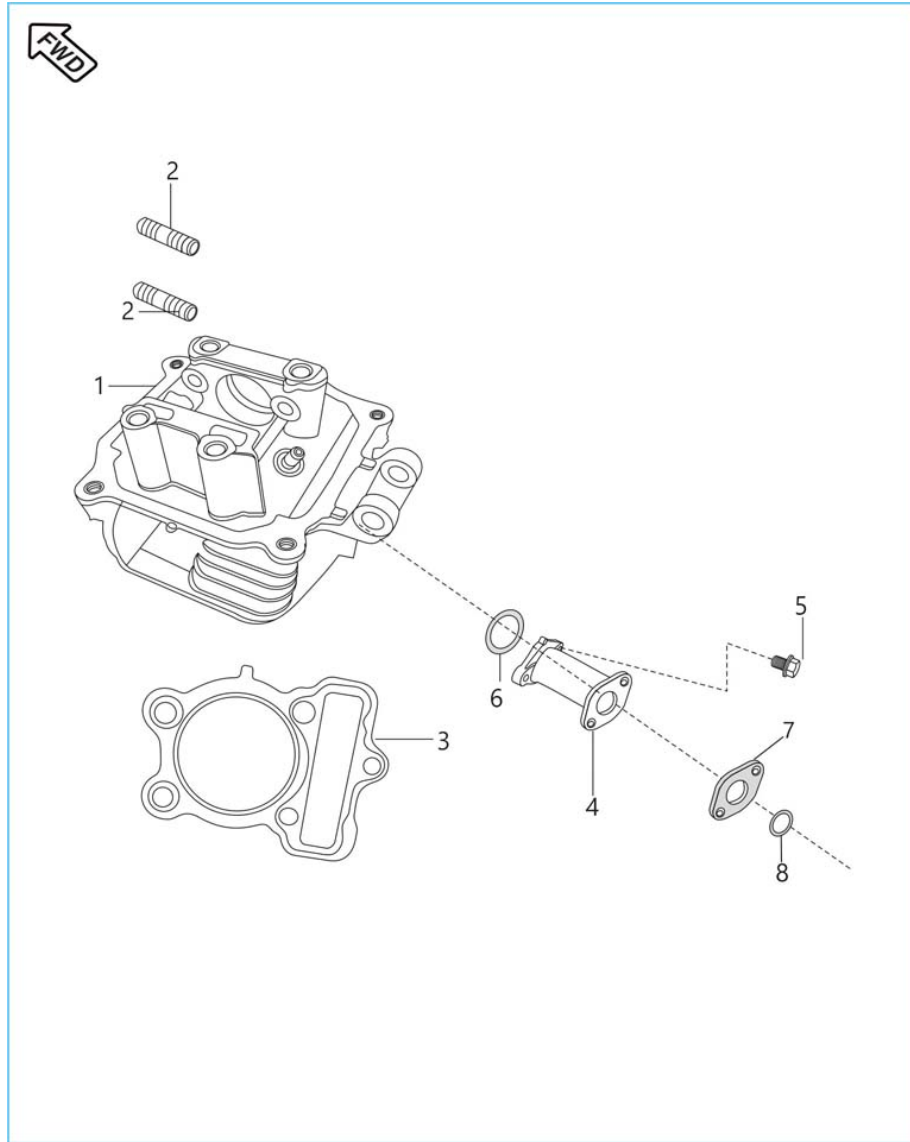
1. Cover Cylinder Head



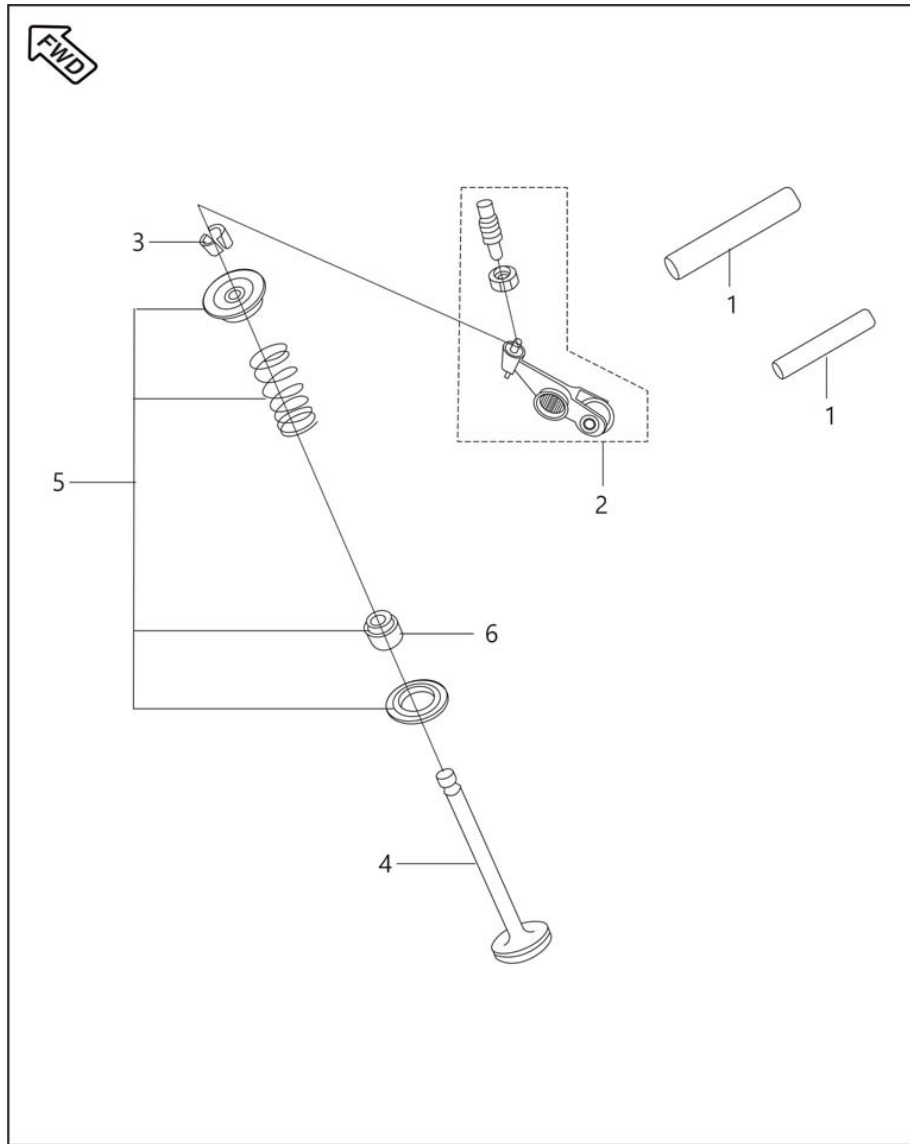
Sr. No.	Part No.	Description	QTY.	Remarks
1	JV511013	COVER ASSEMBLY HEAD CYLINDER	1	
2	59040038	BOLT	4	
3	JV511012	GASKET CYLINDER HEAD COVER	1	
4	JB511011	BOLT HEAD MOUNTING-M8X1.25X190L	4	M8 X 1.25 X 190L
5	JV511011	PLATE HEAD CYLINDER	1	
6	DY581009	TUBE BREATHER B105A	1	
7	DP121025	CLAMP (ID 12.5 MM)	2	
8	JB511015	BOLT HEAD MTG	1	

## Boxer BM 100 ES

## 2. Cylinder Head

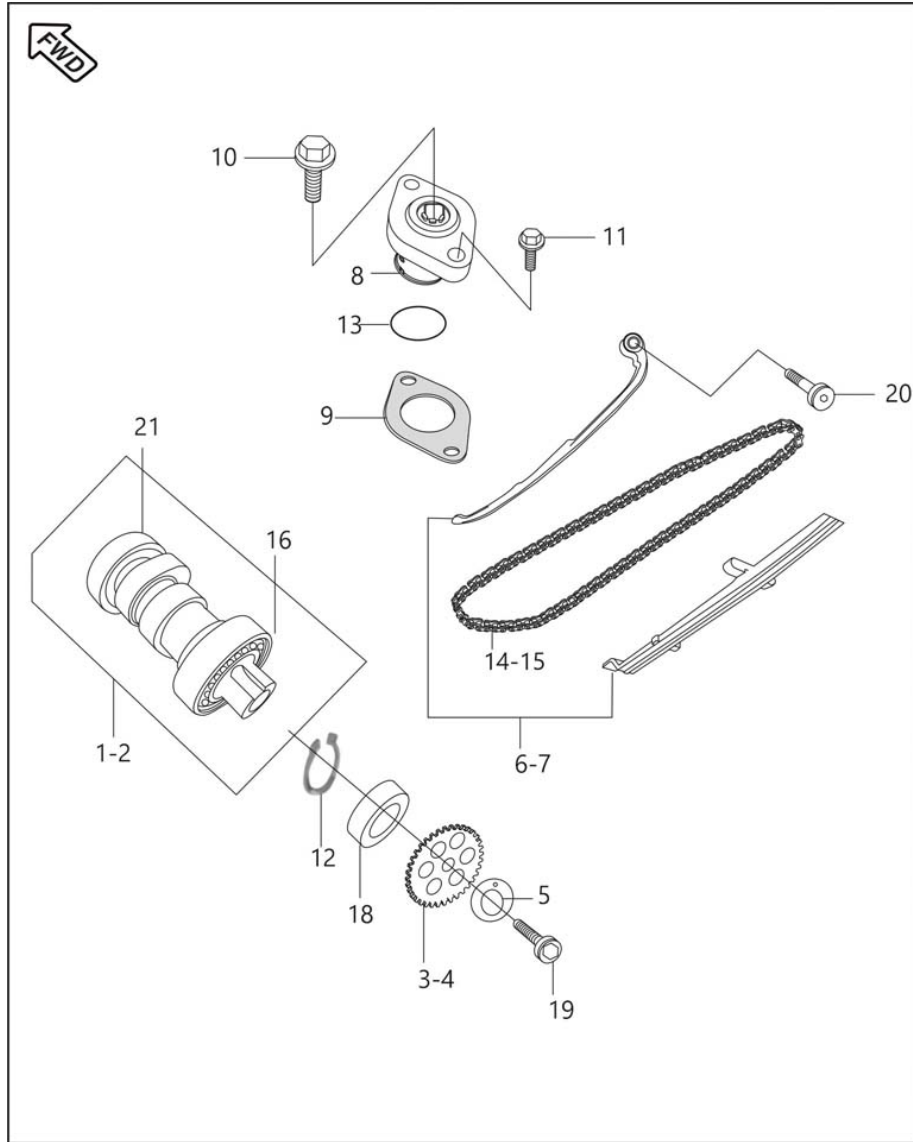


Sr. No.	Part No.	Description	QTY.	Remarks
1	PF511124	HEAD CYLINDER	1	
2	39166005	STUD - M8	2	
3	JB511019	GASKET HEAD CYLINDER	1	
4	52PF1039	SILVER MANIFOLD INTAKE - BOXER 100 ES/KS	1	
5	KAED0625	BOLT-FLANGE-KAE ST-D DIA-06 L-25	2	
6	LJA00011	RING O -ID 28.7 X SECT. DIA. 1.9	1	
7	PA581224	INSULATOR CARB PTE-16-D100C-94CC(2V)	1	
8	JB581272	SEAL O RING INSULATOR DISCO-M	1	

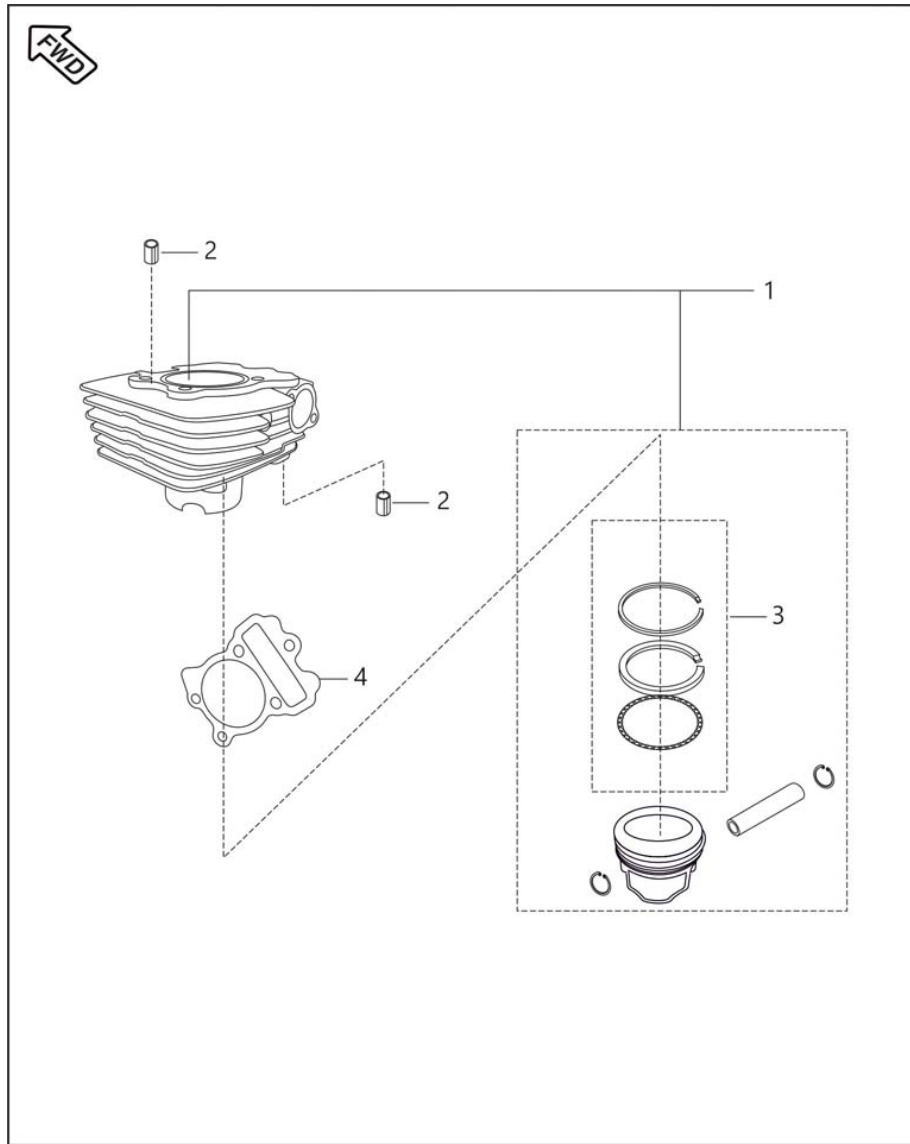


Sr. No.	Part No.	Description	QTY.	Remarks
1	JH511212	SHAFT ROCKER ARM	2	
2	DU101060	ARM - ROCKER WITH ROLLER	2	
3	CB101022	COTTER VALVE	4	
4	36DU4076	KIT VALVE INTAKE+EXHAUST	1	
5	36JV0006	VALVE REPAIR KIT BM125	1	
6	CB101009	SEAL - VALVE STEM	2	

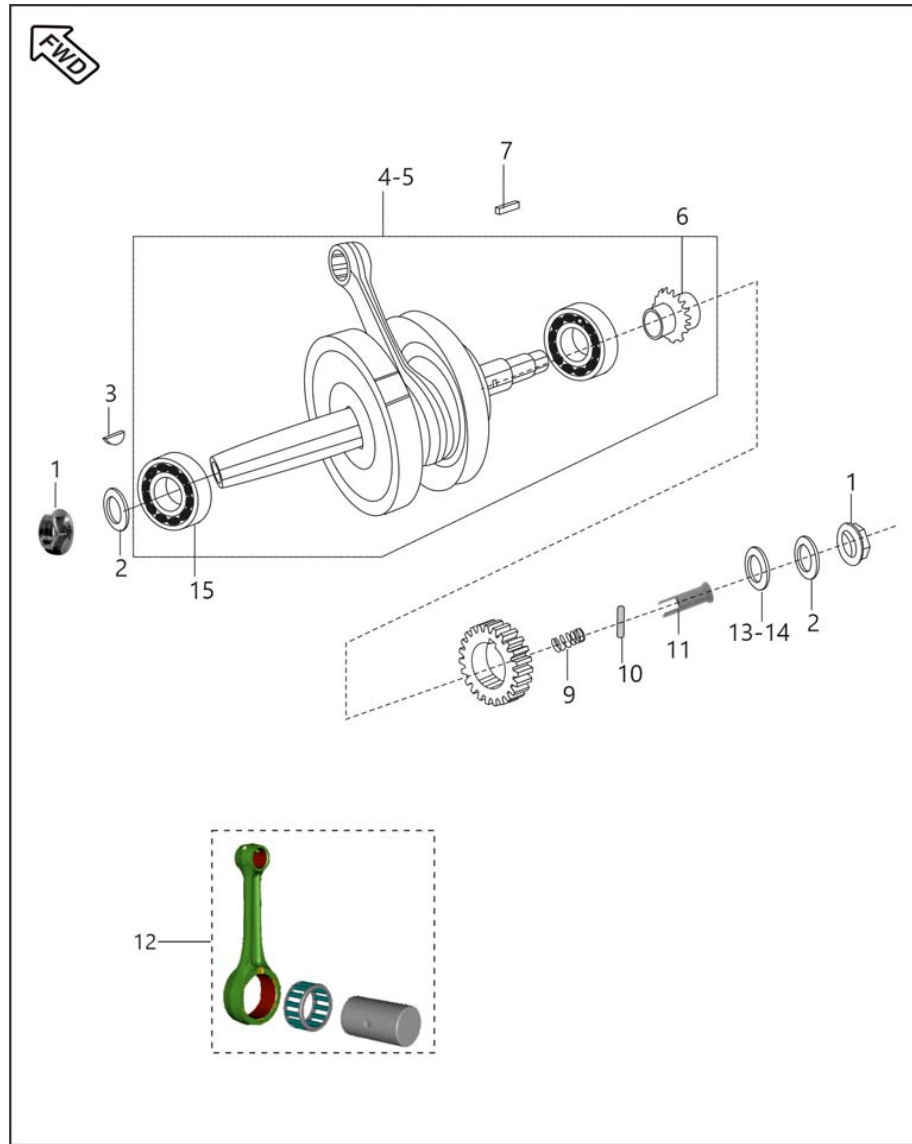




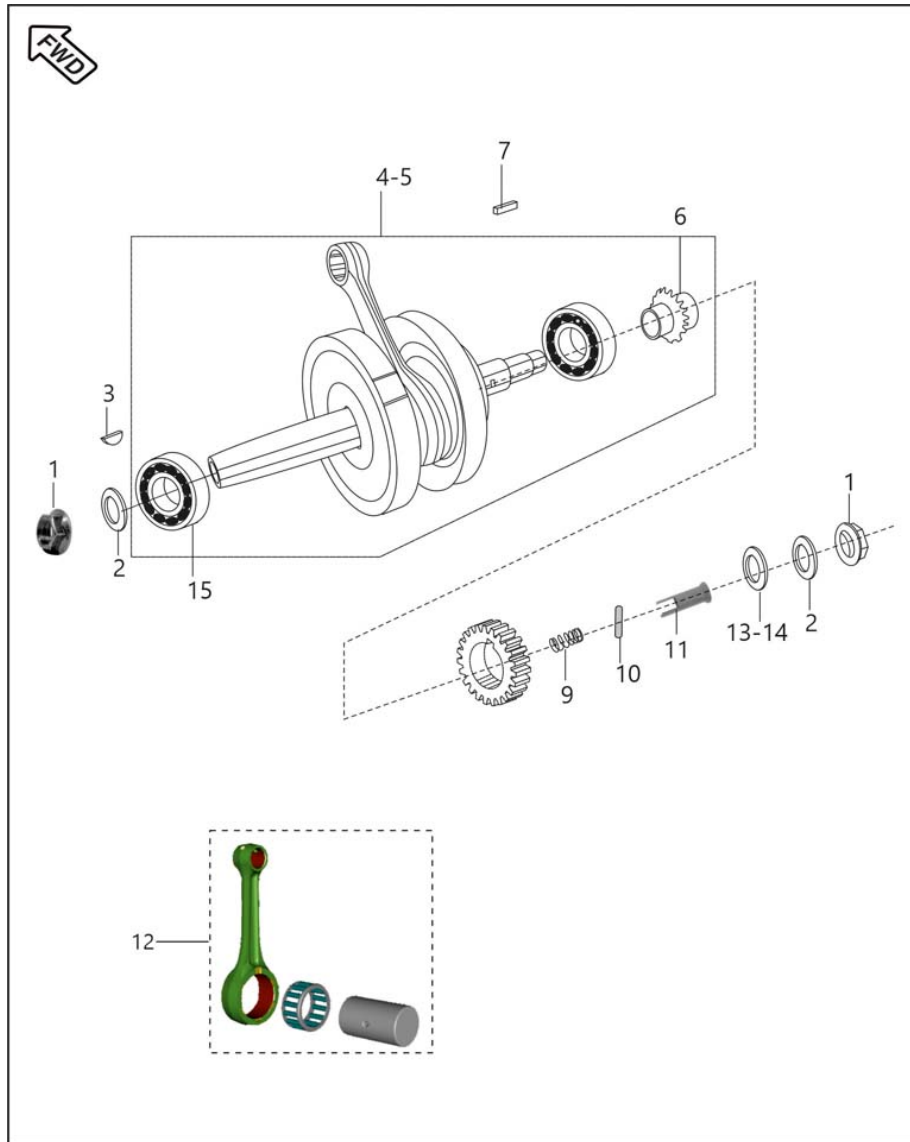
Sr. No.	Part No.	Description	QTY.	Remarks
13	39266921	RING - O (ID 10.15 X 1.5)	1	
14	DS109905	CAM CHAIN (94 LINKS)	1	
15	PF511257	CHAIN	1	Ref.Cir.IB-397
16	JE511049	BEARING CAM SHAFT D102C	1	
18	JA511216	SPACER CAM SPROCKET	1	
19	DK101386	PRECOATED SOC HD CAP BOLT M8X40	1	
20	DH101392	PRECOATED TENSIONER PIVOT BOLT - DH10101	1	
21	39198820	BEARING - BALL :- 12 X 28 X 8	1	



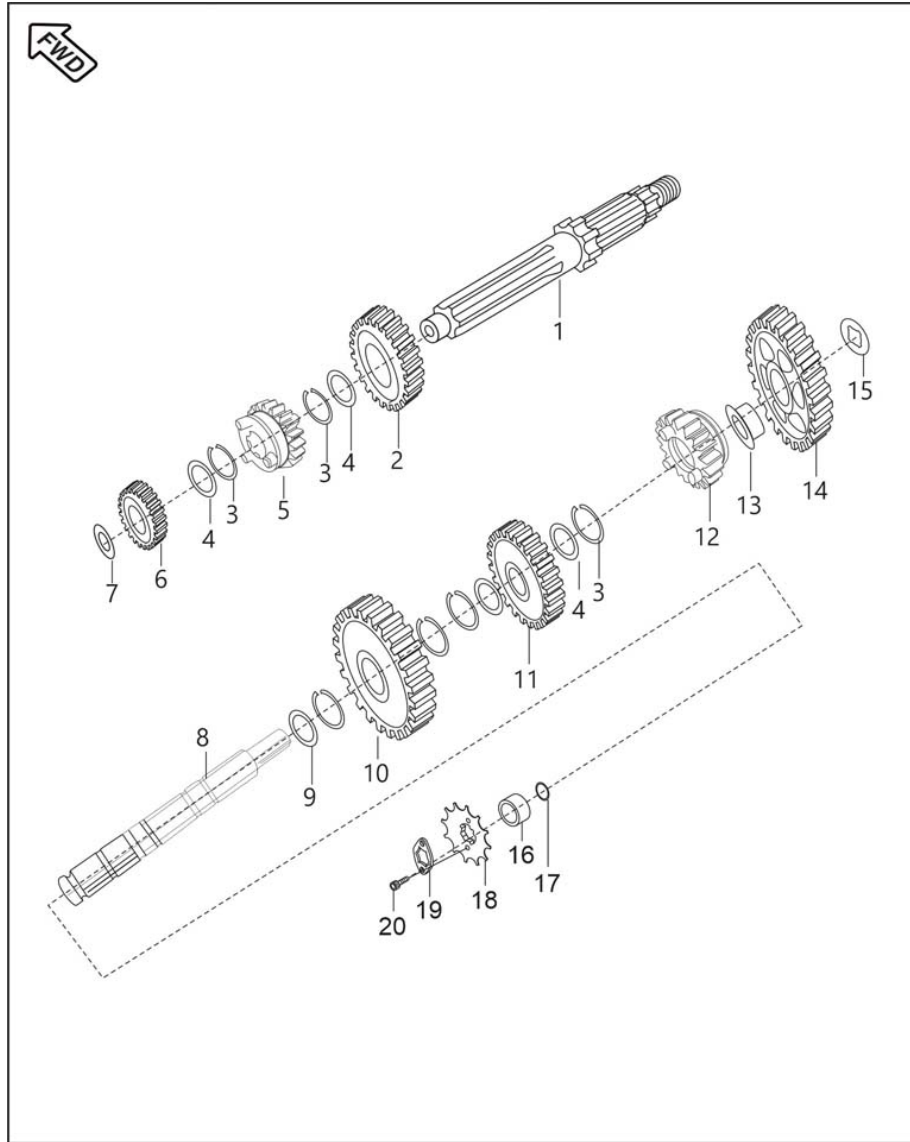
Sr. No.	Part No.	Description	QTY.	Remarks
1	36PF0045	KIT BLOCK PISTON-B104D	1	
2	39100006	PIN - HOLLOW DOWEL	2	
3	36PF0062	KIT PISTON RING SET	1	
4	JH521007	GASKET BLOCK CYLINDER	1	



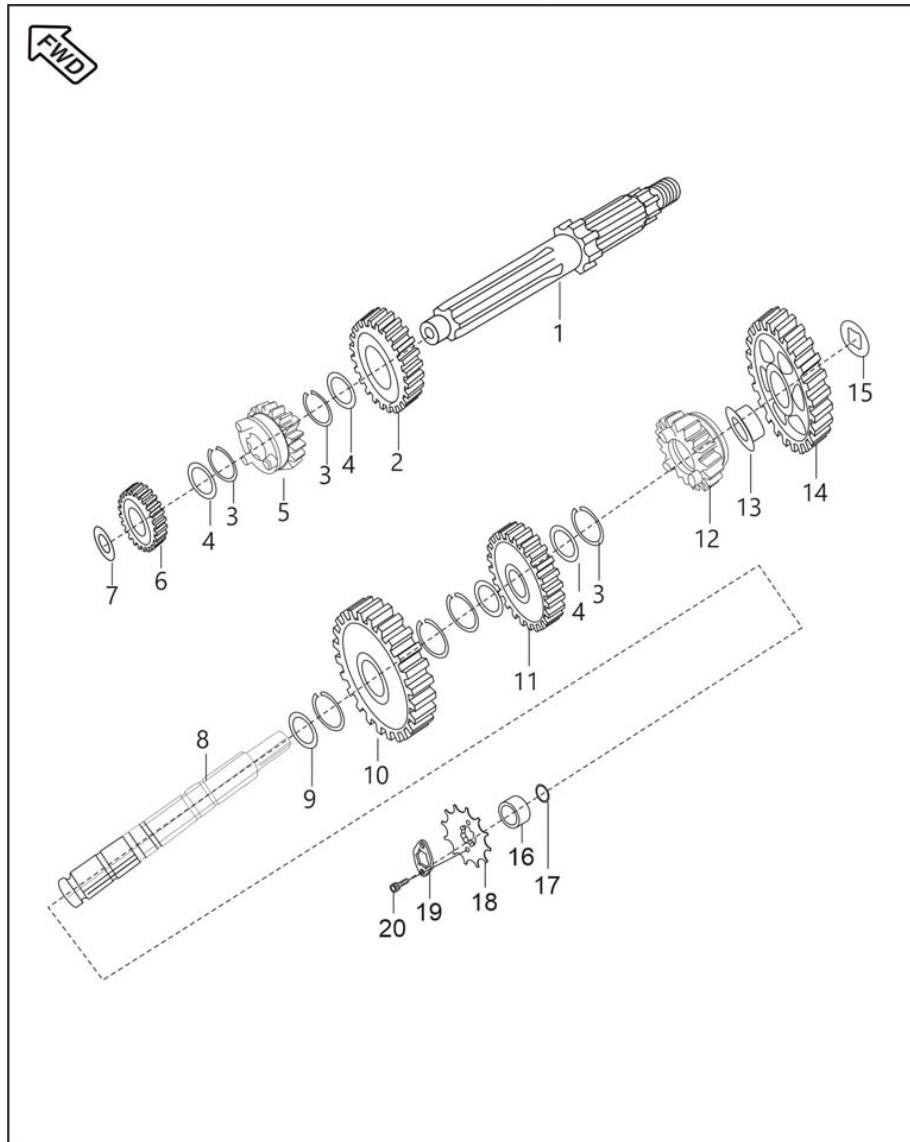
Sr. No.	Part No.	Description	QTY.	Remarks
1	59150014	NUT FLANGE	2	
1	LCA00036	NUT M14X1	1	Added Ref.Cir.IB-478
2	59120003	WASHER BELLVILLE	2	
3	31101173	KEY -WOODRUFF FOR CRANKSHAFT CLUTCH SIDE	1	
4	PF531023	CRANKSHAFT ASSEMBLY	1	
5	PF531066	CRANKSHAFT ASSEMBLY	1	Ref.Cir.IB-397
5	PF531091	CRANKSHAFT ASSEMBLY (ES)	1	Added Ref.Cir.IB-478
6	PF531027	SPROCKET CRANKSHAFT	1	
7	DS101154	KEY	1	
8	JZ531006	GEAR PRIMARY DRIVE	1	
9	JA531012	SPRING	1	
10	JA531015	PIN C/S PLUNGER	1	



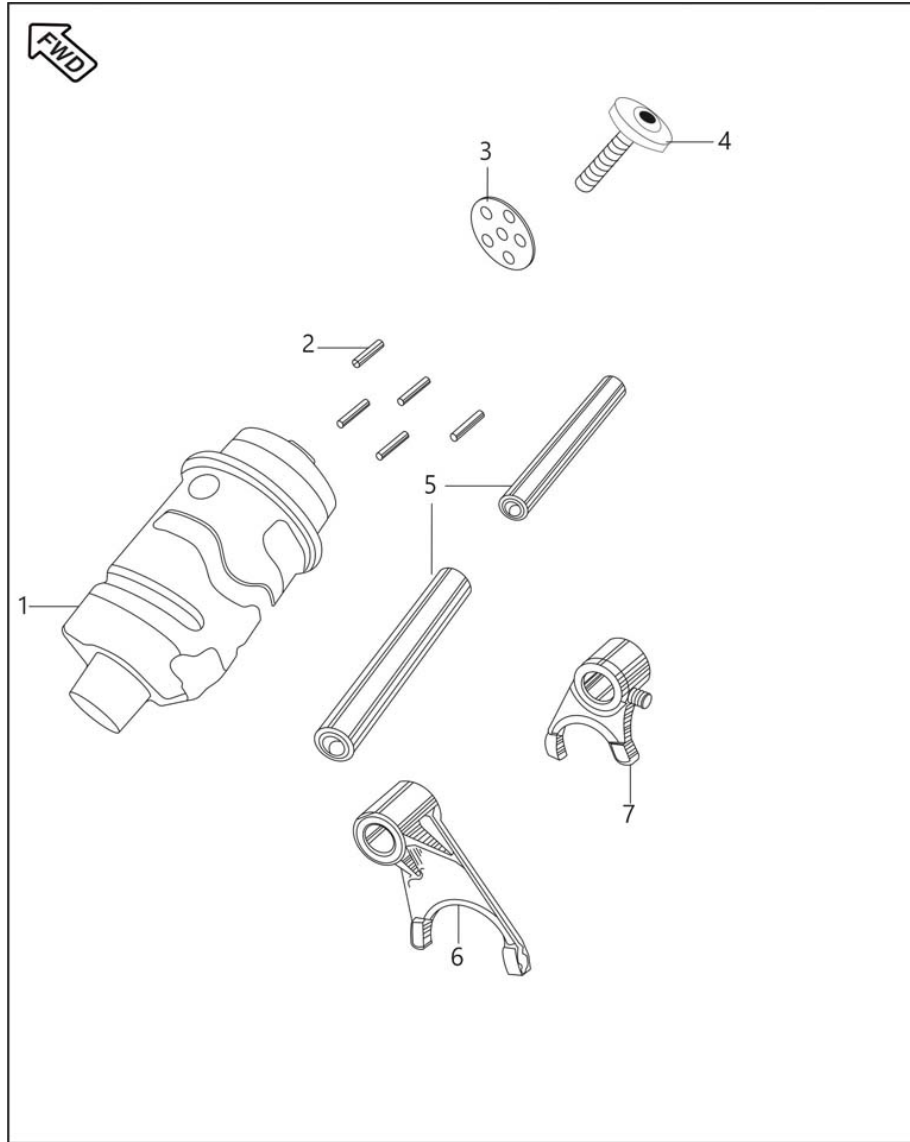
Sr. No.	Part No.	Description	QTY.	Remarks
11	JB531021	PLUNGER OIL CRANKSHAFT	1	
12	36DM0010	ASSLY CONNECTING ROD	1	
13	59110008	WASHER	1	
14	LDA00025	WASHER PLAIN-ID 14.5XOD 26XTHK 3	1	Ref.Cir.IB-397
14	LDB00149	WASHER PLAIN	1	Added Ref.Cir.IB-478
15	39186420	BEARING - BALL :- 20 X 52 X 15	2	



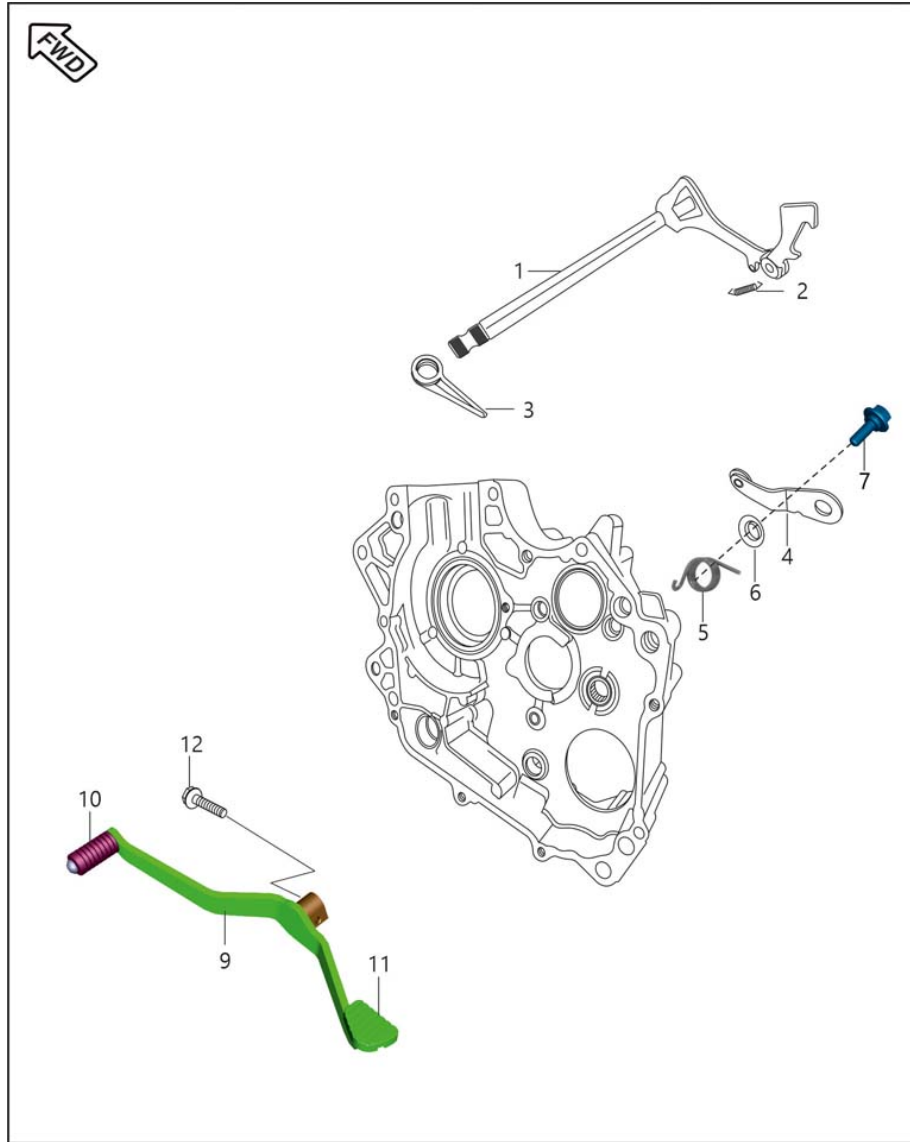
Sr. No.	Part No.	Description	QTY.	Remarks
1	PA551002	SHAFT INPUT D105	1	
2	PA551207	GEAR FOURTH DRIVE	1	
3	39098717	RING - SNAP	5	
4	JA551002	SPLINE WASHER (17.2X20.5X1.5)	3	
5	PF551201	GEAR THIRD DRIVE	1	
6	PF551200	GEAR SECOND DRIVE	1	
7	JA551004	WASHER THRUST 2ND DRIVE	1	
8	PF551003	SHAFT OUTPUT BM150 4 SPD	1	
9	PF551206	WASHER GEAR 2ND DRIVEN BM150 4SPD	1	
10	PF551203	GEAR 2ND DRIVEN BM150 4 SPD	1	
11	PF551204	GEAR THIRD DRIVEN	1	
12	PA551206	GEAR FOURTH DRIVEN	1	



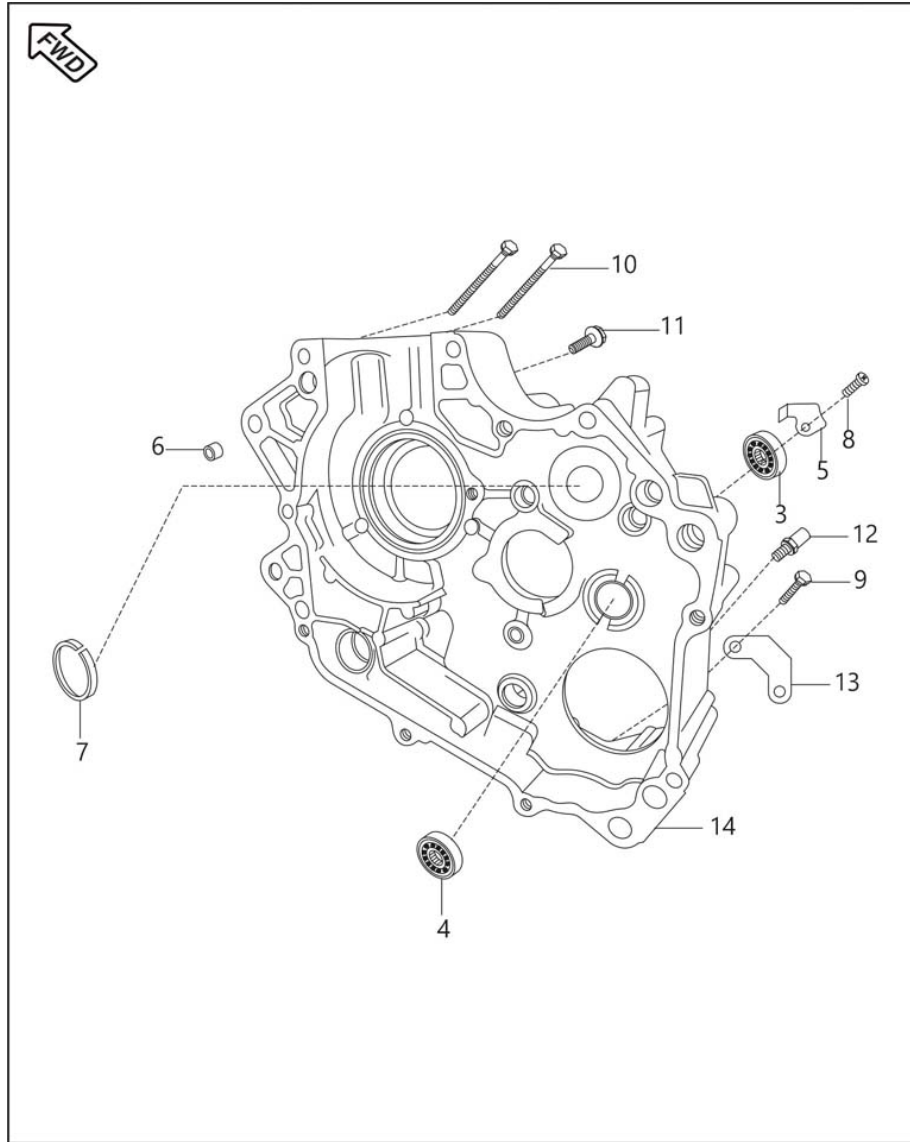
Sr. No.	Part No.	Description	QTY.	Remarks
13	JZ551205	BUSH 1st DRIVEN	1	
14	PA551205	GEAR 1ST DRIVEN D105	1	
15	JA551008	WASHER THRUST (12.2X25X1)	1	
16	JA551009	COLLAR SPROCKET DRIVE	1	
17	59210024	O_RING	1	
18	JZ551004	SPROCKET	1	14 Teeth N.S
19	DU101213	PLATE LOCK - SPROCKET OUTPUT	1	
20	DS101355	BOLT M5 HEX SOCKET HEAD	2	



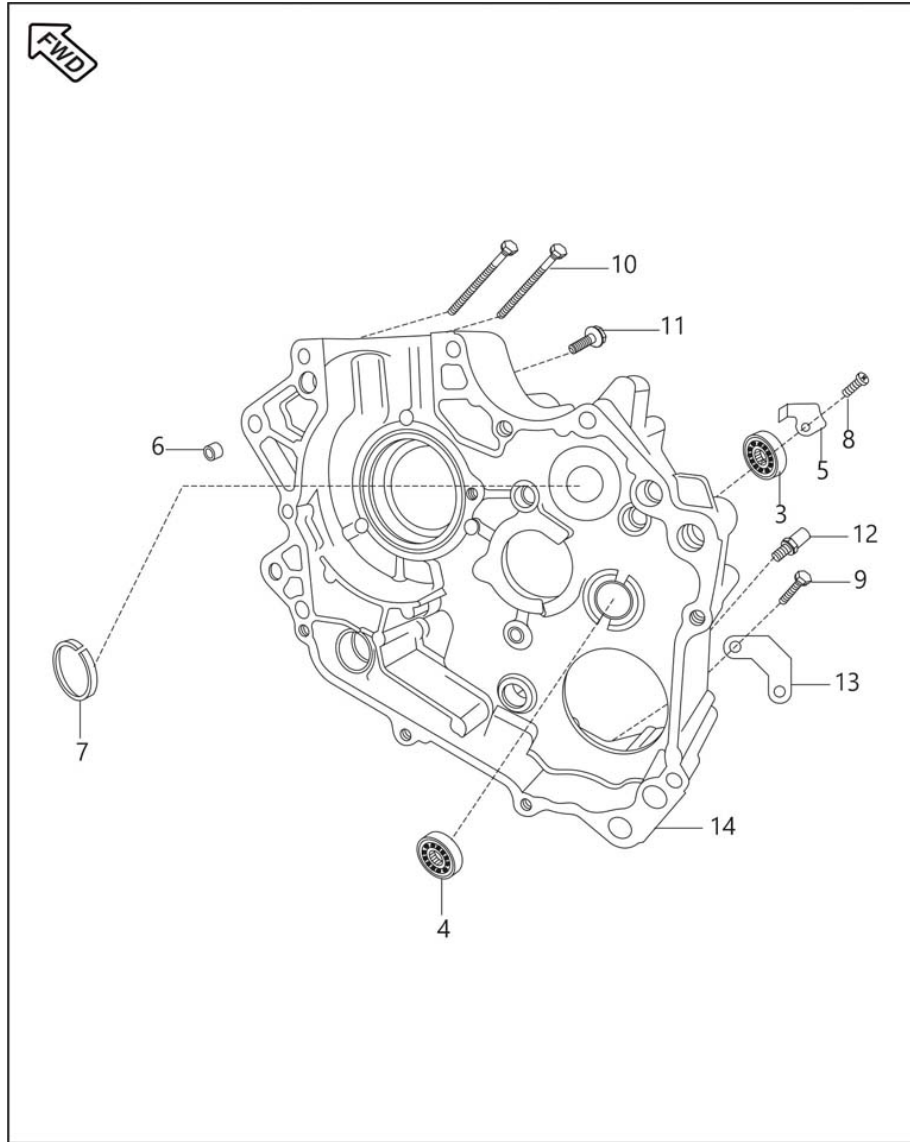
Sr. No.	Part No.	Description	QTY.	Remarks
1	PF561000	DRUM ASSLY COMP BM150 4 SPD	1	
2	39099206	DOWEL	5	
3	JA561002	CAM-DRUM CHANGE	1	
4	JD561011	BOLT SOCKET STEP M6X1	1	M6 X 1
5	PF561002	SHAFT FORK SHIFT BM150 4 SPD	2	
6	JD561004	FORK GEAR SHIFT OUTPUT	1	
7	JZ561002	FORK INPUT DISCO-H	1	



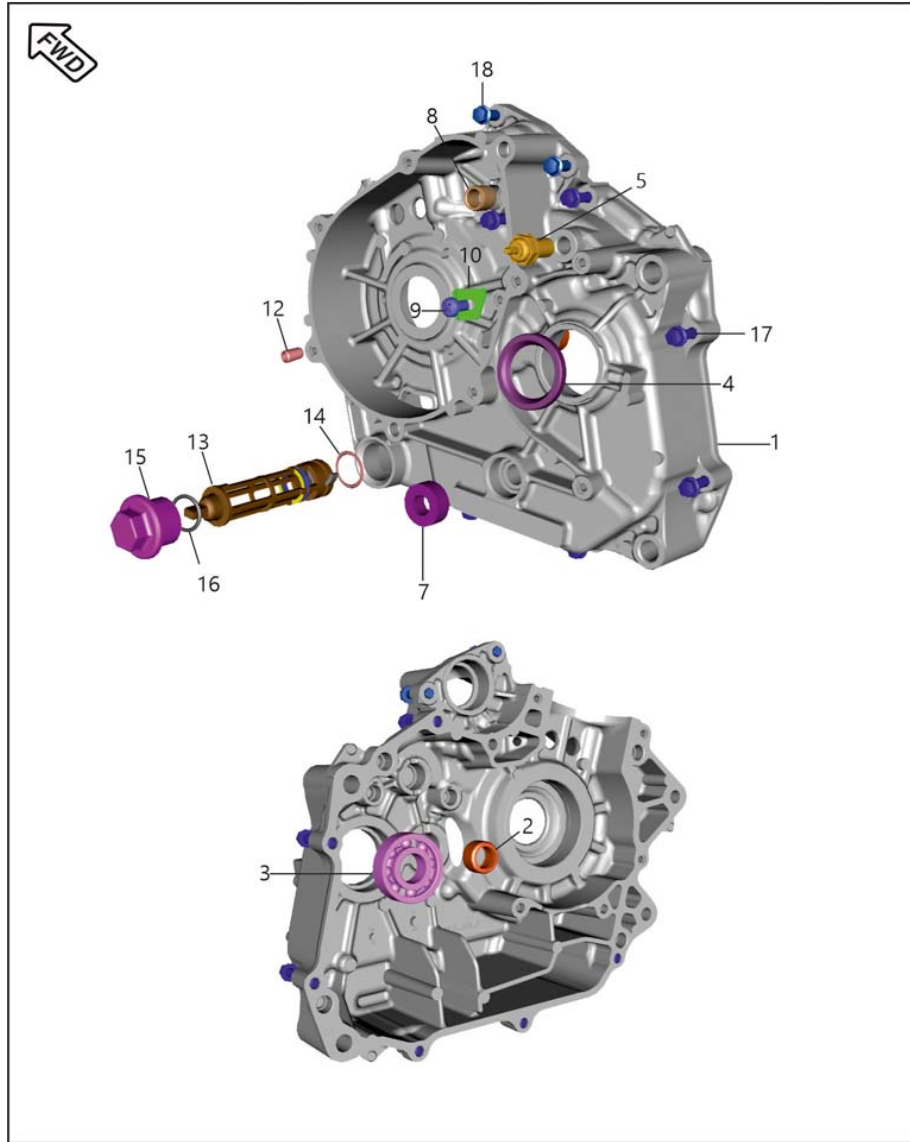
Sr. No.	Part No.	Description	QTY.	Remarks
1	PF561200	SHAFT ASSEMBLY GEAR SHIFT	1	
2	JW561206	EXTENSION SPRING	1	
3	JW561208	SPRING GEAR SHIFT RETURN	1	
4	JH561200	INHIBITOR GEARSHIFT	1	
5	PF561203	SPRING INHIBITOR B104D	1	
6	LDB00044	WASHER PLAIN-ID 6XOD 18XTHK 1.5	1	
7	BF561219	BOLT DETENT LEVER	1	
8	39081715	NUT - HEXAGON WITH FLANGE :- M6	1	
9	DY561400	ASSEMBLY LEVER GEAR CHANGE	1	
10	DH101509	DAMPER	1	
11	JH561404	RUBBER DAMPER GSL_C101	1	
12	39190204	BOLT - FLANGED :- M6	1	



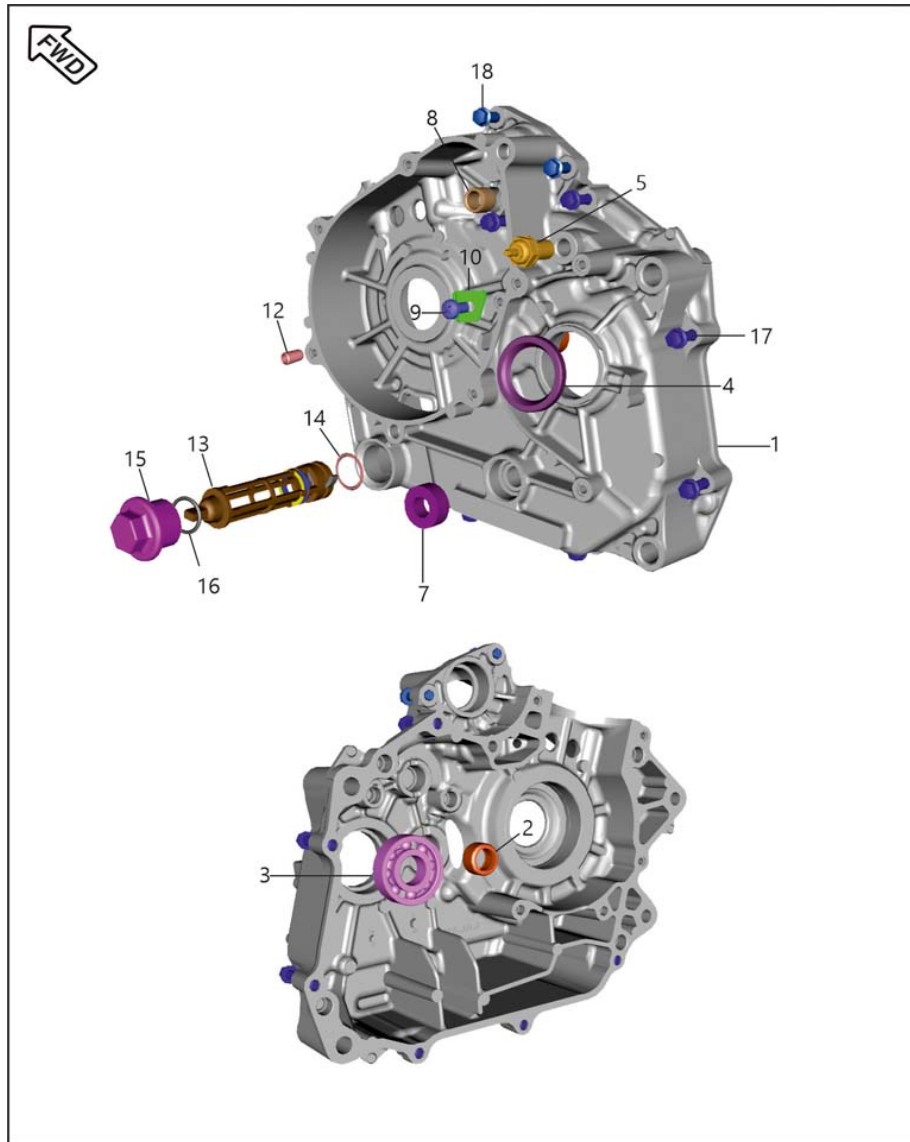
Sr. No.	Part No.	Description	QTY.	Remarks
1	PF501066	ENGINE ASSEMBLY	1	
2	PF501162	ENGINE ASSEMBLY	1	Ref.Cir.IB-406
3	59200036	BEARING - BALL 6203 HN3 C3	1	
4	KPBF6201	BEARING BALL C3 CLEARANCES	1	
5	JA541010	STOPPER PLATE INPUT BEARING	1	
6	39100006	PIN - HOLLOW DOWEL	2	
7	PF541018	BUSH	1	
8	DH101380	SCREW - PAN :- PR-ECOATED (M6 X 12) - 39	1	
9	DH101639	PRECOATED BOLT FLANGED	2	
10	KAED0685	BOLT-FLANGED-SMALL	2	
11	59040038	BOLT	1	
12	52JA0029	BOLT (JA541014) PRECOATED	1	



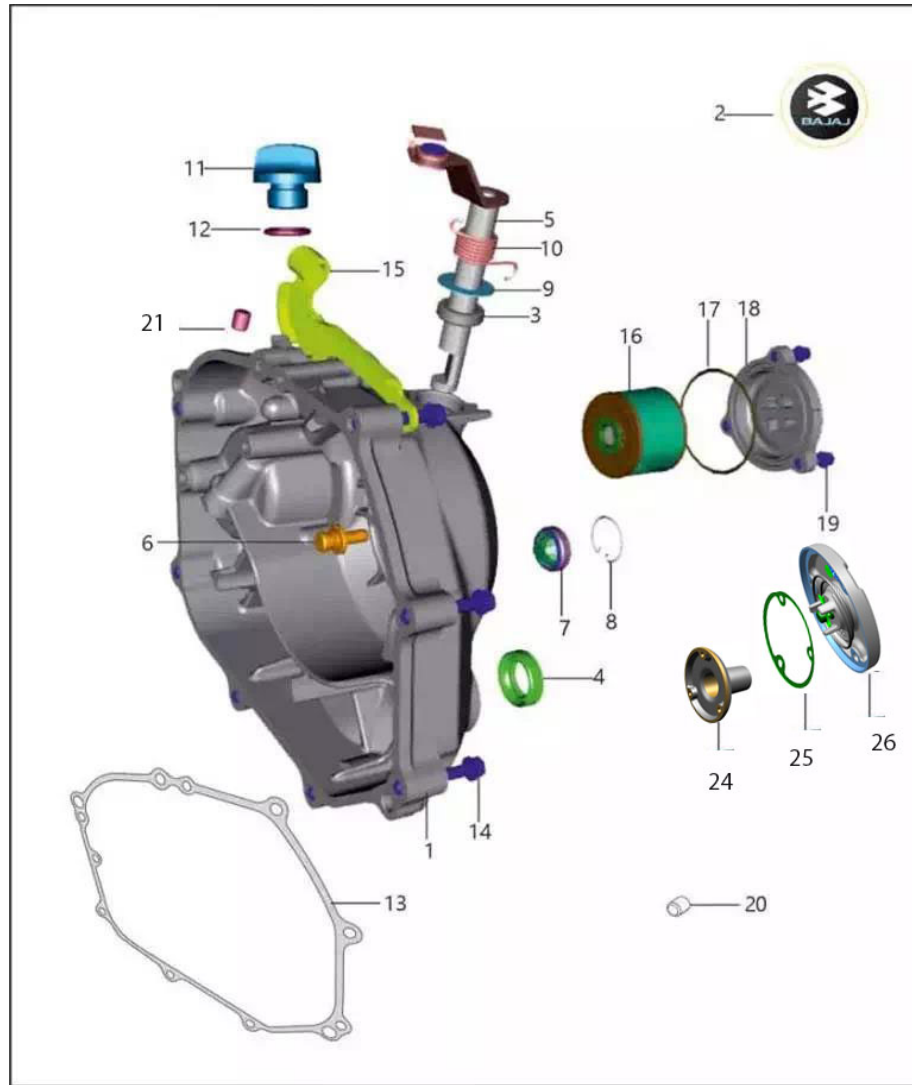
Sr. No.	Part No.	Description	QTY.	Remarks
13	JA541012	GUIDE KICK	1	
14	PF541074	CRANKCASE RH	1	



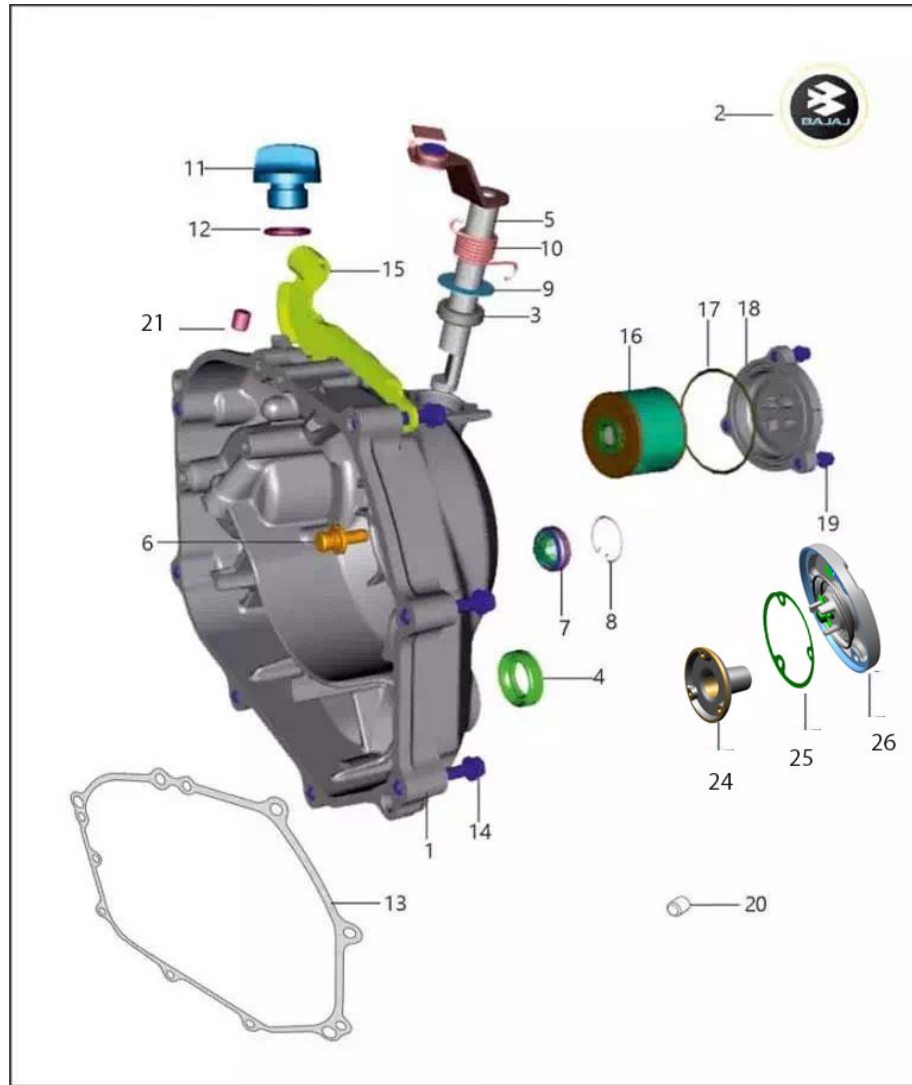
Sr. No.	Part No.	Description	QTY.	Remarks
1	PF541072	CRANKCASE LH	1	
2	39256220	BEARING - NEEDLE ROLLER :- 13 X 19 X 12	1	
3	59200036	BEARING - BALL 6203 HN3 C3	1	
4	39171519	SEAL - OIL	1	
5	31201081	SWITCH NEUTRAL	1	
6	DH101784	GASKET NEUTRAL SWITCH	1	N.I.
7	39219019	SEAL - OIL	1	
8	JA541005	BUSH BENDIX	1	
9	DH101380	SCREW - PAN :- PR-ECOATED (M6 X 12) - 39	1	
10	JH541021	BRACKET GEAR STOPPER C101D	1	
11	39100006	PIN - HOLLOW DOWEL	4	N.I.
12	39099906	PIN - HOLLOW DOWEL	2	



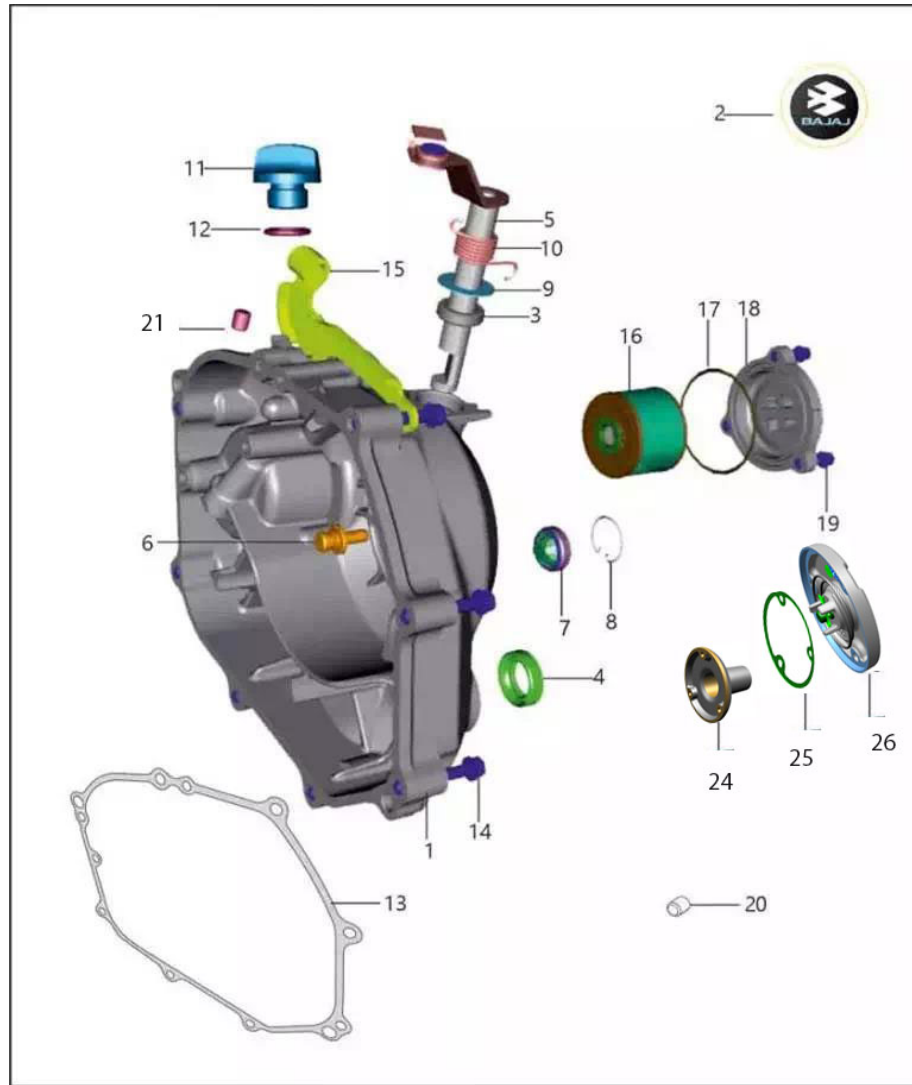
Sr. No.	Part No.	Description	QTY.	Remarks
13	JG571024	MESH OIL FILTER	1	
14	LJA00004	STRAINER O RING	1	
15	JV541006	CAP STRAINER	1	
16	59210023	RING - O	1	
17	59040038	BOLT	7	
18	KAED0625	BOLT-FLANGE-KAE ST-D DIA-06 L-25	2	



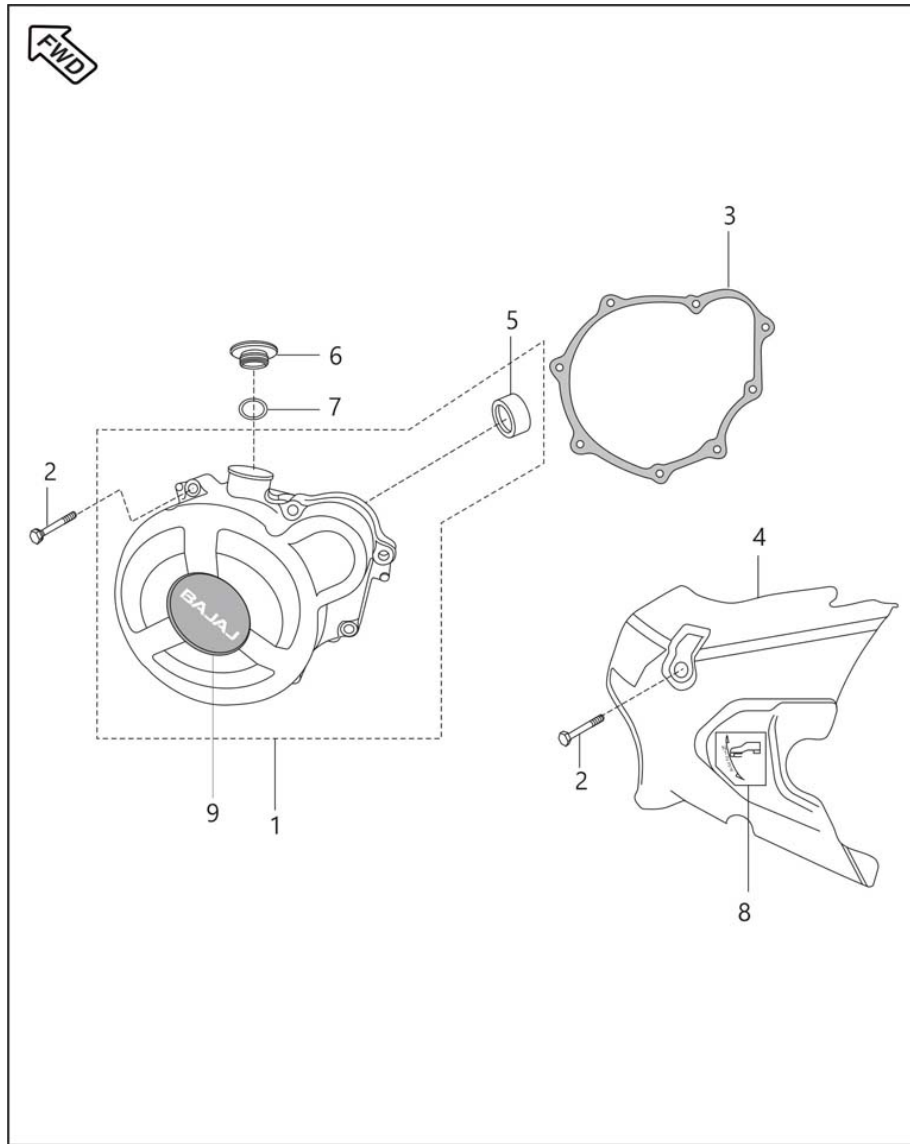
Sr. No.	Part No.	Description	QTY.	Remarks
1	36DU4079	KIT ASSLY CLUTCH COVER	1	
1	52PF3120	COVER ASSLY PF541378 CLUTCH	1	Added Ref.Cir.IB-478
2	JV541225	LABEL COVER CLUCTH	1	
3	39104119	SEAL - OIL	1	
4	30101142	SEAL - OIL	1	
5	JV541208	SHAFT CLUTCH RELEASE ASSY	1	
6	PF551407	ROD PUSH B104D	1	
7	JL541227	WINDOW OIL GUAGE	1	
7	52PF3125	ASSLY DIPSTICK WITH 'O' RING	1	Added Ref.Cir.IB-478
8	DS101215	CLIP - WIRE	1	
9	39244311	WASHER - PLAIN	1	
10	JE541214	SPRING TTORSION CLUTCH LEVER	1	



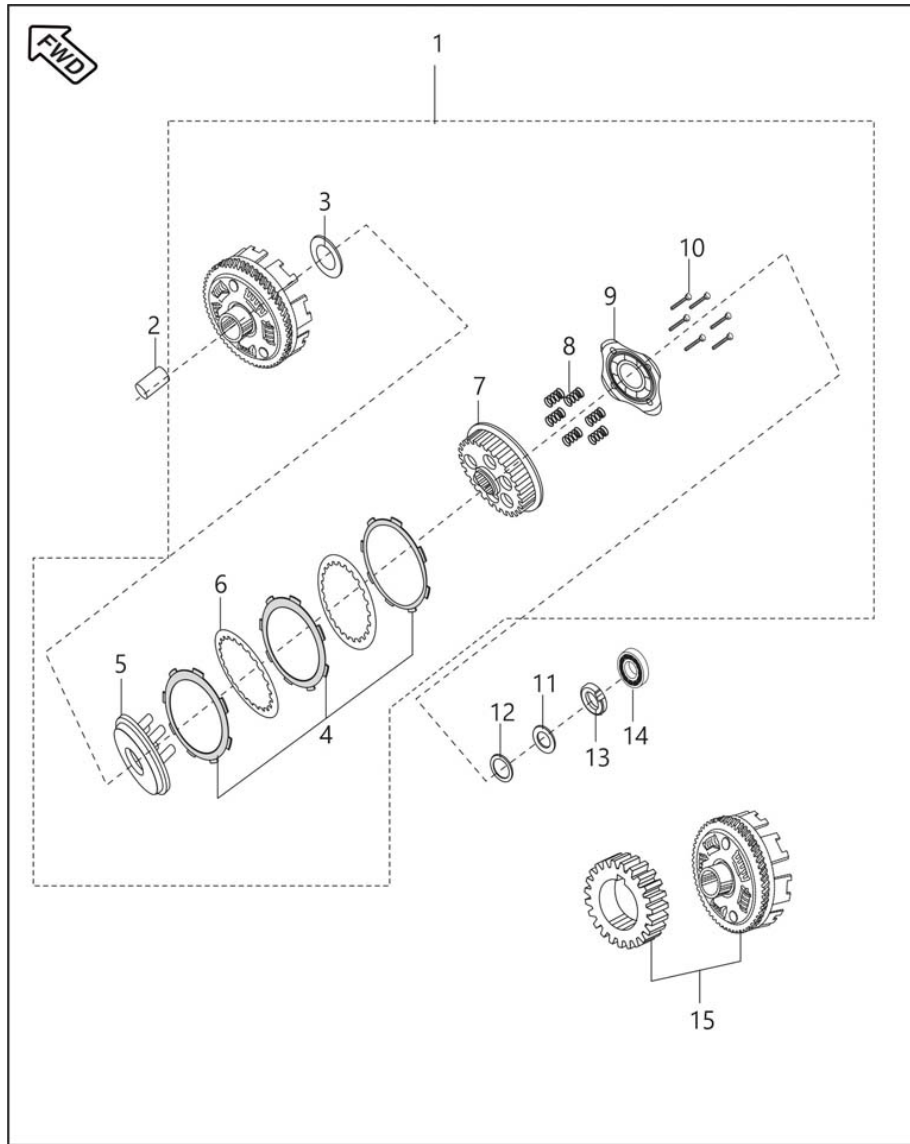
Sr. No.	Part No.	Description	QTY.	Remarks
11	JA541211	CAP FILLER OIL	1	
12	JA541225	O RING CAP OIL FILLER	1	
12	KJAB1424	O-RING	1	Added Ref.Cir.IB-478
13	JA541212	GASKET CLUTCH COVER	1	
14	59040038	BOLT	8	
15	PF541255	BRACKET CLUTCH CABLE B104E	1	
16	DD121181	ELEMENT OIL FILTER	1	
17	39167121	RING - O	1	
18	PF541254	CAP FILTER B104E	1	
19	LAE00005	BOLT FLANGED-M6X1XL 20XPRECOAT	3	
19	LAE00098	BOLT FLANGED M5X0.8	3	Added Ref.Cir.IB-478
20	39099906	PIN - HOLLOW DOWEL	2	



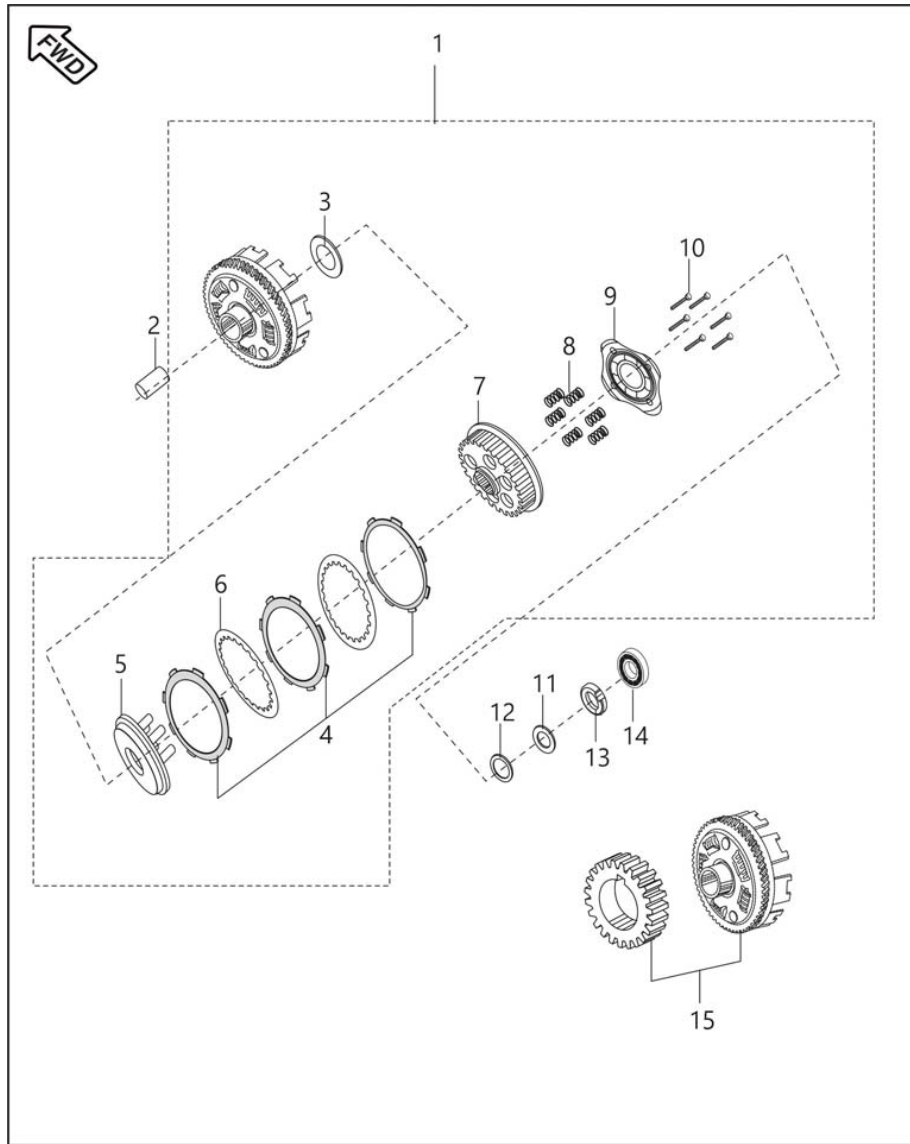
Sr. No.	Part No.	Description	QTY.	Remarks
21	31101064	PLUG	1	
22	JB541201	JET	1	N.I.
23	BA102004	PLUG	1	N.I.
24	PF571005	BODY FILTER OIL	1	Added Ref.Cir.IB-478
25	PF571006	GASKET FILTER OIL	1	Added Ref.Cir.IB-478
26	PF571003	ASSEMBLY COVER FILTER OIL	1	Added Ref.Cir.IB-478



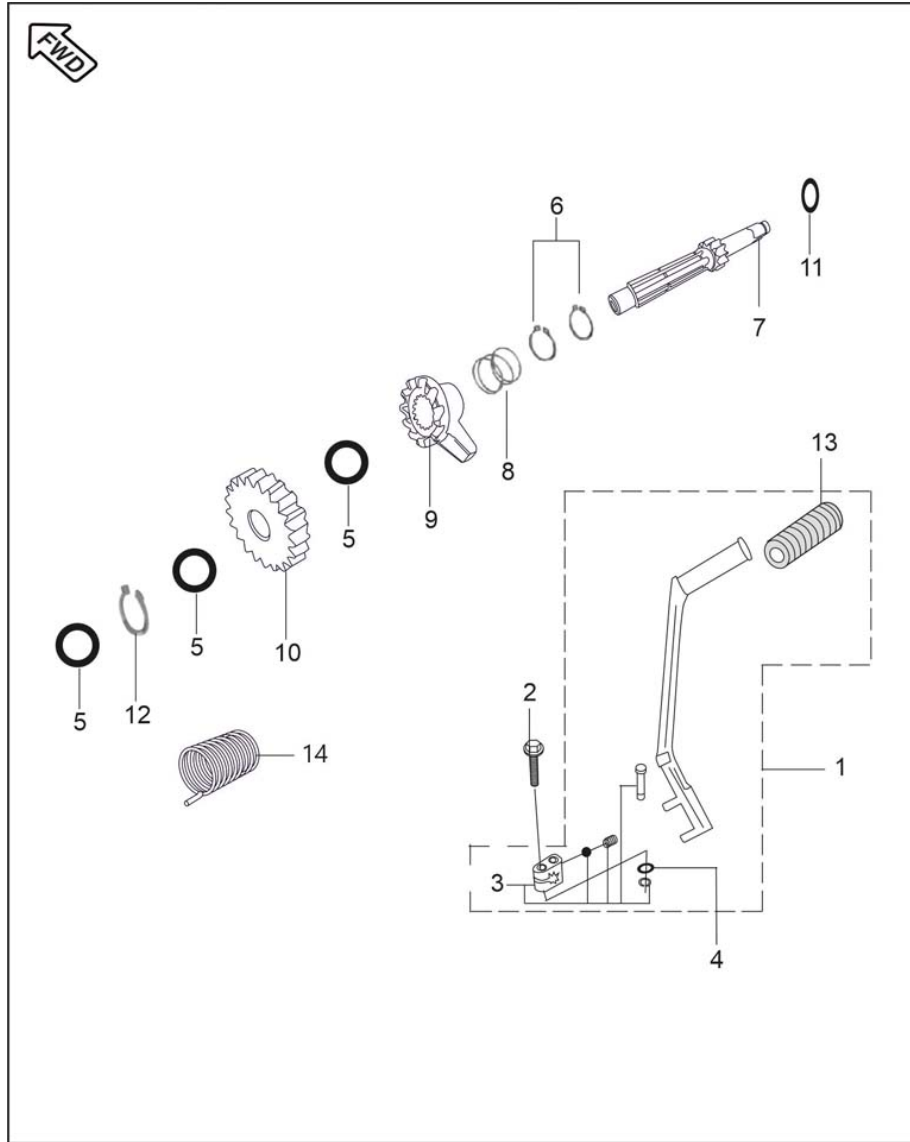
Sr. No.	Part No.	Description	QTY.	Remarks
1	52JV0143	SILVER COVER MAGNETO ASSLY BM125X	1	
2	59040038	BOLT	9	
3	JB541224	GASKET COVER MAGNETO	1	
4	PF541263	ASSEMBLY COVER LH RR B108B	1	
5	JA541005	BUSH BENDIX	1	
6	JA541211	CAP FILLER OIL	1	
7	JA541225	O RING CAP OIL FILLER	1	
8	DS161150	GEAR SHIFTER LABEL	1	
9	PF541249	LABEL MAGNETO COVER B104D	1	



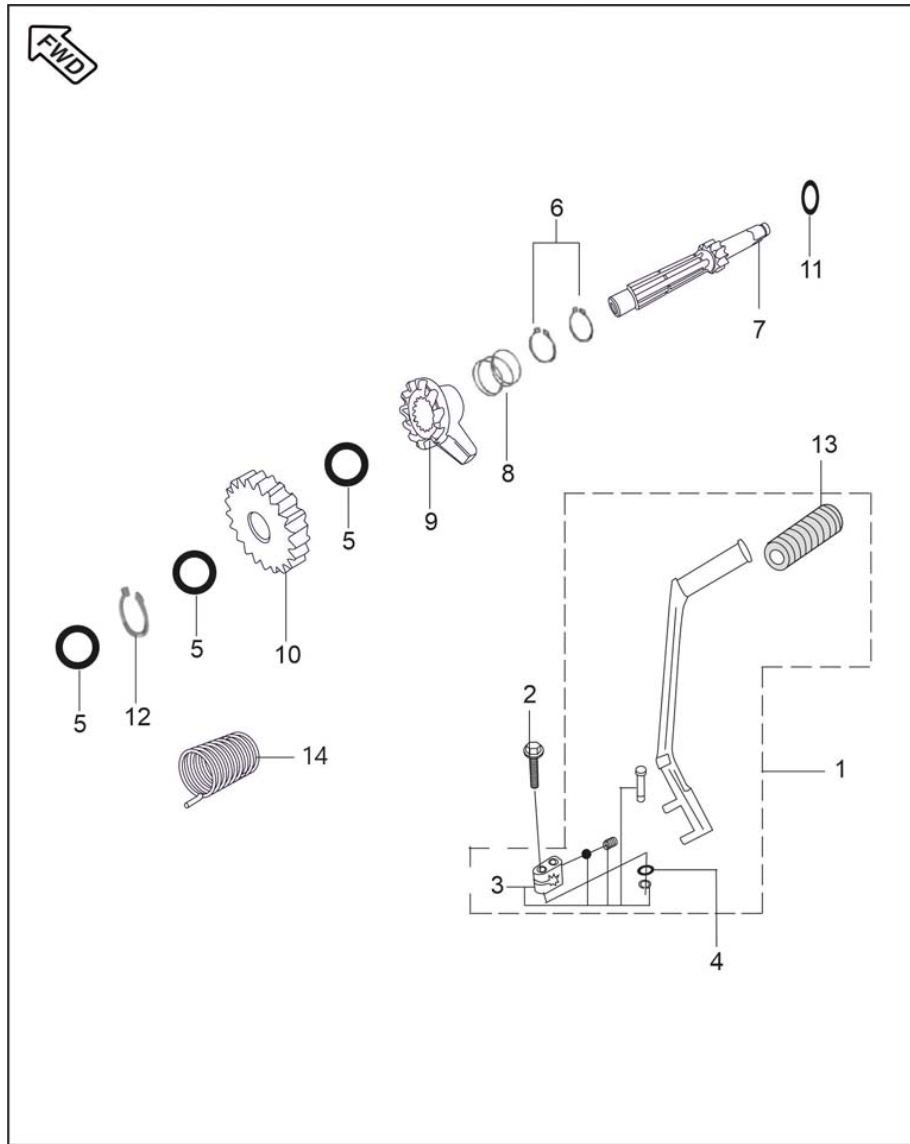
Sr. No.	Part No.	Description	QTY.	Remarks
1	PF551412	CLUTCH ASSEMBLY	1	
1	DU101430	CLUTCH ASSEMBLY	1	Ref-IB Cir-501
2	JA551406	COLLAR CLUTCH	1	
3	39260011	WASHER - PLAIN	1	
4	36JE0024	KIT FRICTION - D102B&C	5	
5	JB551408	WHEEL CLUTCH	1	
6	30101096	PLATE - CLUTCH	4	
7	PF551411	HUB CLUTCH B104D	1	
8	28101214	SPRING	6	
9	JB551406	HOLDER	1	
10	39098004	BOLT - HEXAGON HEAD	6	
11	JE551409	WASHER BELLEVILLE D102C	1	



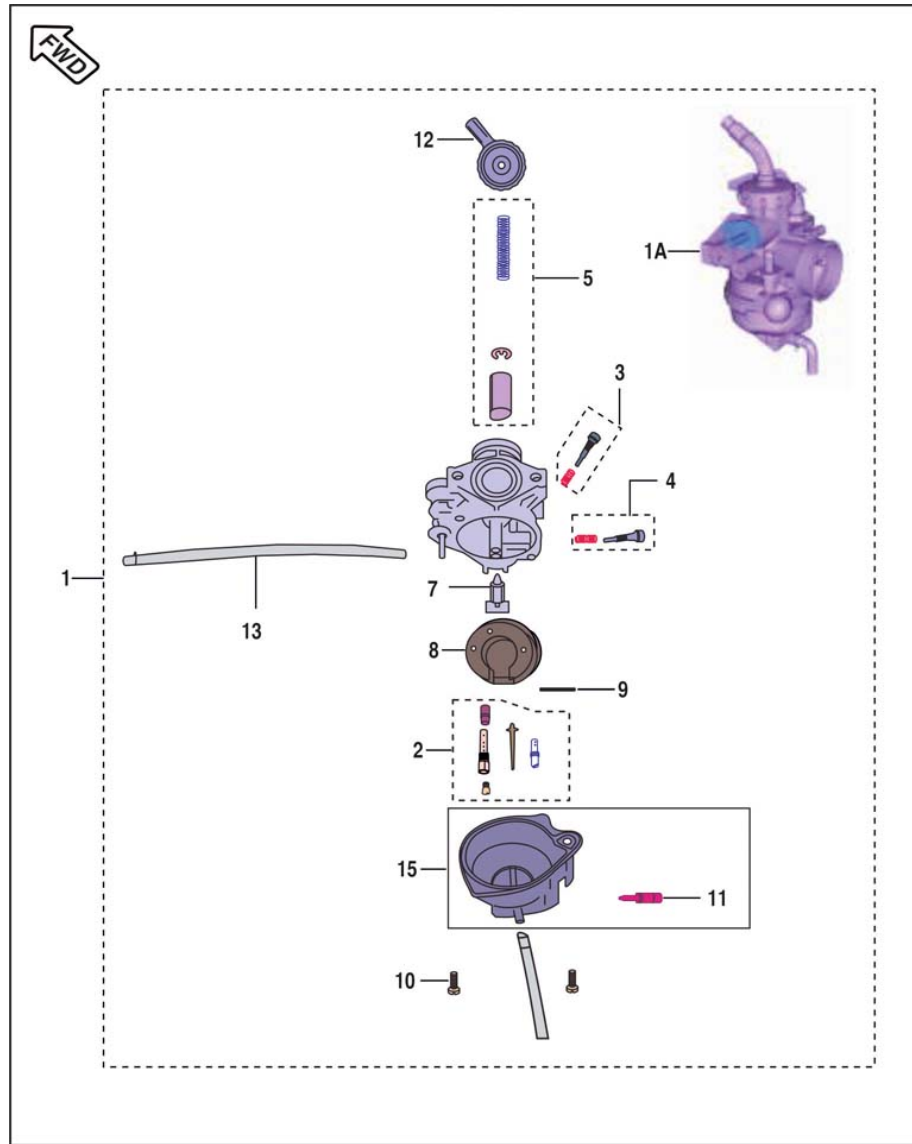
Sr. No.	Part No.	Description	QTY.	Remarks
12	JA551420	WASHER PLAIN	1	
13	52JA0028	NUT (JA531007) PRECOATED	1	
14	39100120	BEARING - BALL	1	
15	36JZ0023	KIT PRIMARY DRIVE & DRIVEN	1	



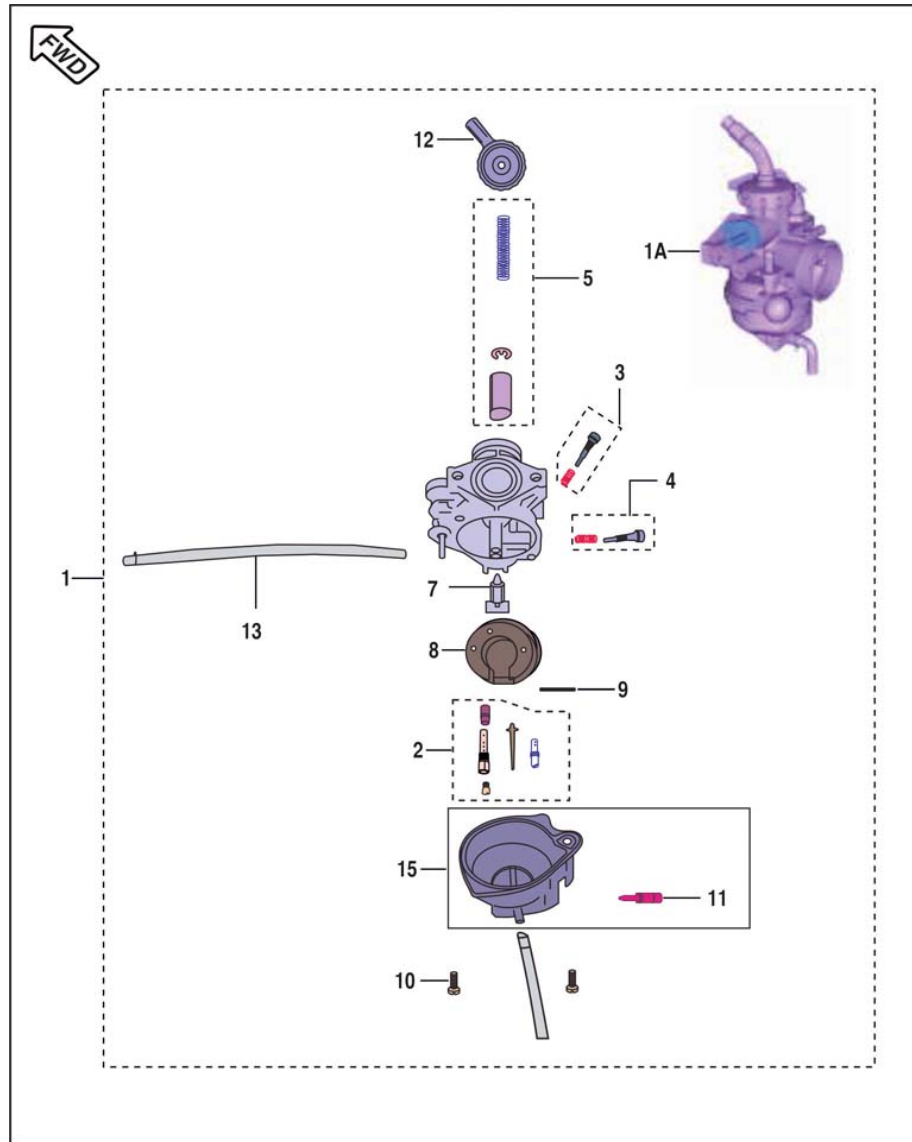
Sr. No.	Part No.	Description	QTY.	Remarks
1	DU101050	LEVER ASSEMBLY COMPLETE - KICK	1	
2	JA621206	BOLT SPECIAL (M8*30)	1	
3	36DU1007	BOSS KICK SET - CT 100	1	
4	22150241	WASHER - PLAIN	1	
5	39099311	WASHER - PLAIN	3	
6	39073817	CIRCLIP - EXTERNAL :- TYPE C	2	
7	PF621003	KICK SHAFT B104D	1	
8	DS101117	SPRING - KICK STARTER RATCHET	1	
9	JA621002	RATCHET	1	
10	PA621005	ASSEMBLY GEAR KICK PINION D105	1	
11	JA621006	Washer thrustR (INTEGRAL)	1	
12	39240817	CIRCLIP	1	



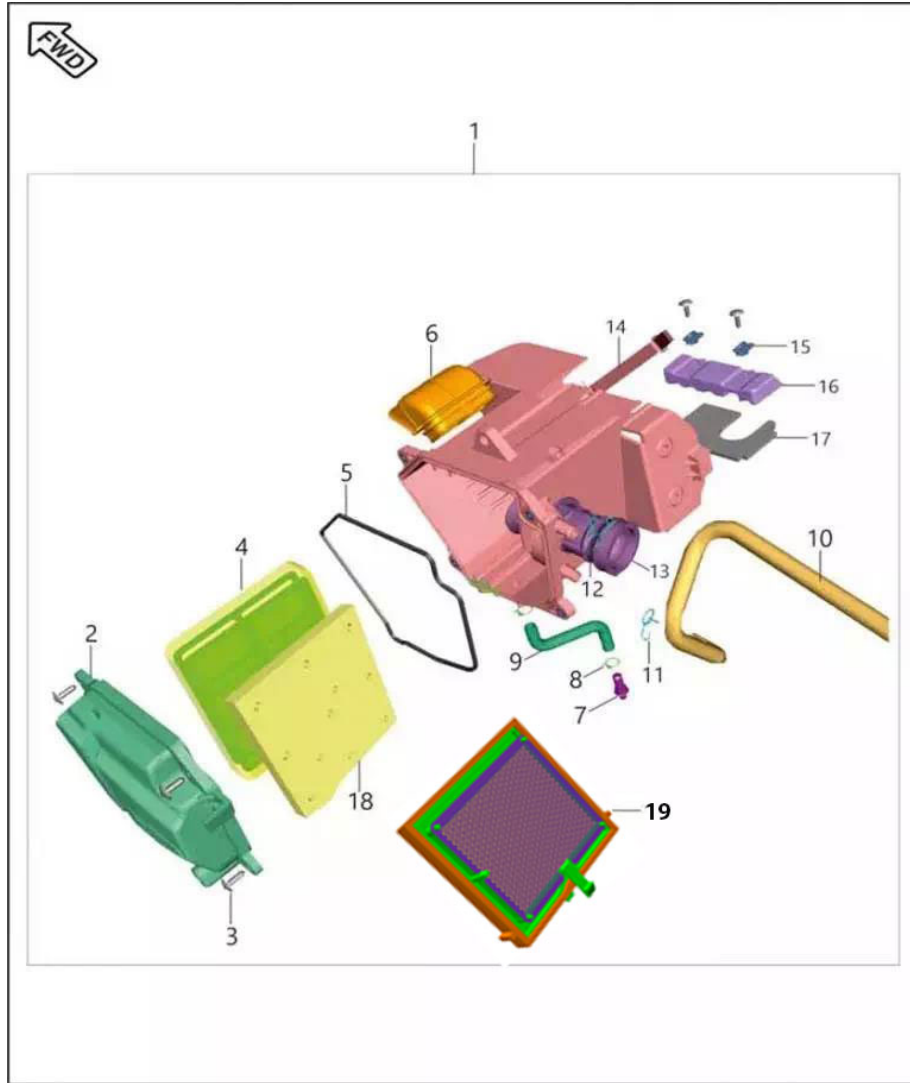
Sr. No.	Part No.	Description	QTY.	Remarks
13	30101154	BUSH	1	
14	JE621003	SPRING K11	1	



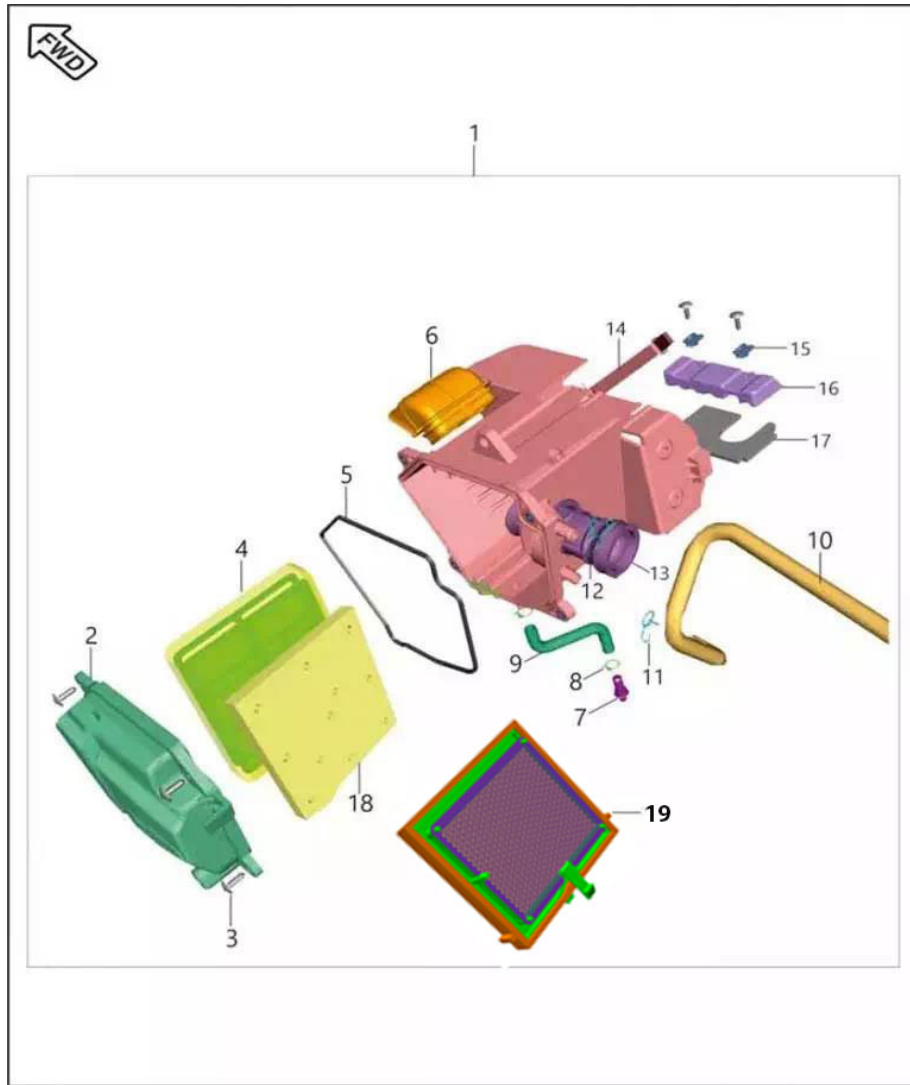
Sr. No.	Part No.	Description	QTY.	Remarks
1	PF581226	CARBURATOR ASSEMBLY	1	
2	36DU4084	KIT JET- B105B	1	
3	36JH0040	KIT CARB V12-AIR SCREW	1	
4	36DU4083	IDLING SCREW SET-B105B	1	
5	36DM0005	KIT THROTTLE VALVE-B105B	1	
6	36JH0012	KIT CARB O RINGS&GASKET	1	
7	JB581229	VALVE COMP FLOAT (PIN)	1	
8	JB581230	FLOAT COMP PTE16 XCD125 CARB	1	
9	JB581256	PIN FLOAT PTE-16 DISCO-M	1	
10	PA581221	SCREW	1	
11	JB581260	SCREW DRAIN PTE-16 DISCO-M	1	
12	36DU4082	TOP SET - B105B	1	



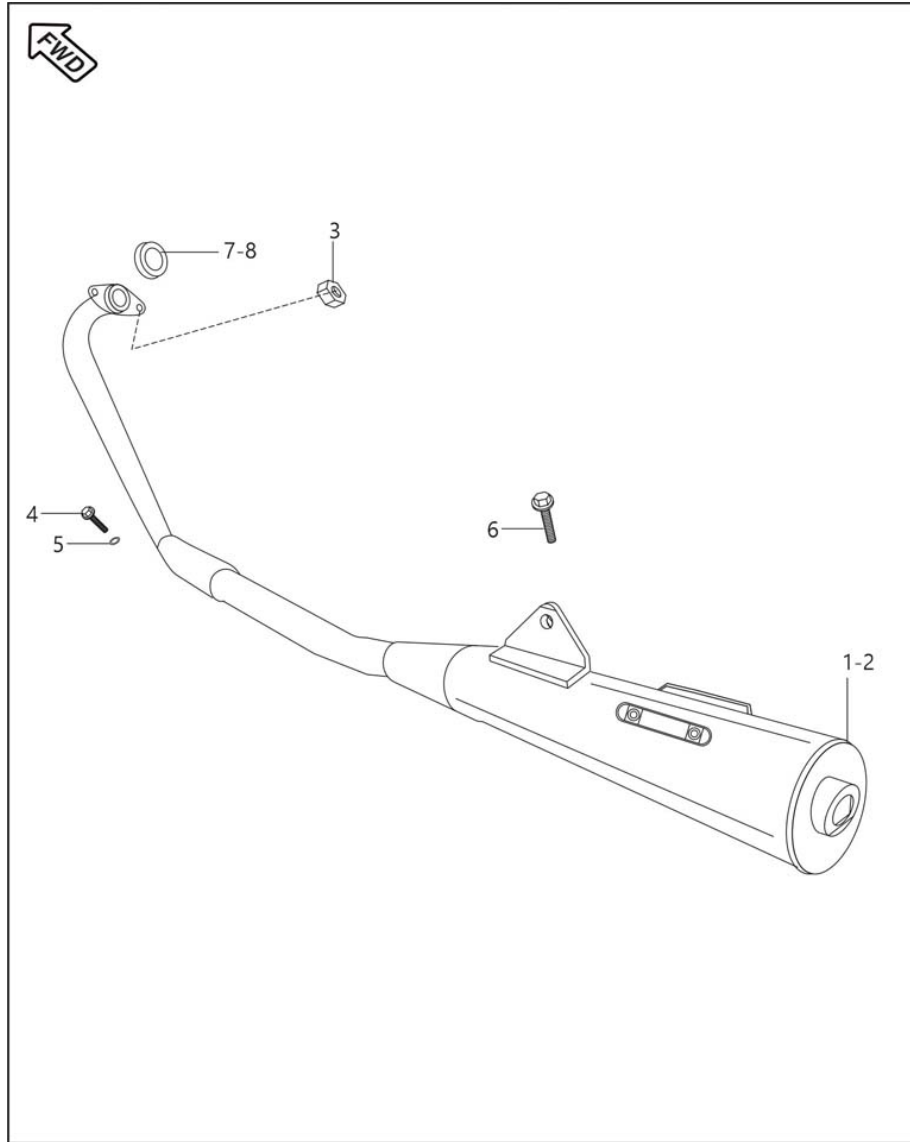
Sr. No.	Part No.	Description	QTY.	Remarks
13	JB581258	TUBE AIR VENTING PTE-16 DISCO-M	1	
14	36JH0044	KIT CARB V15-FLOAT CHAMBER BODY	1	



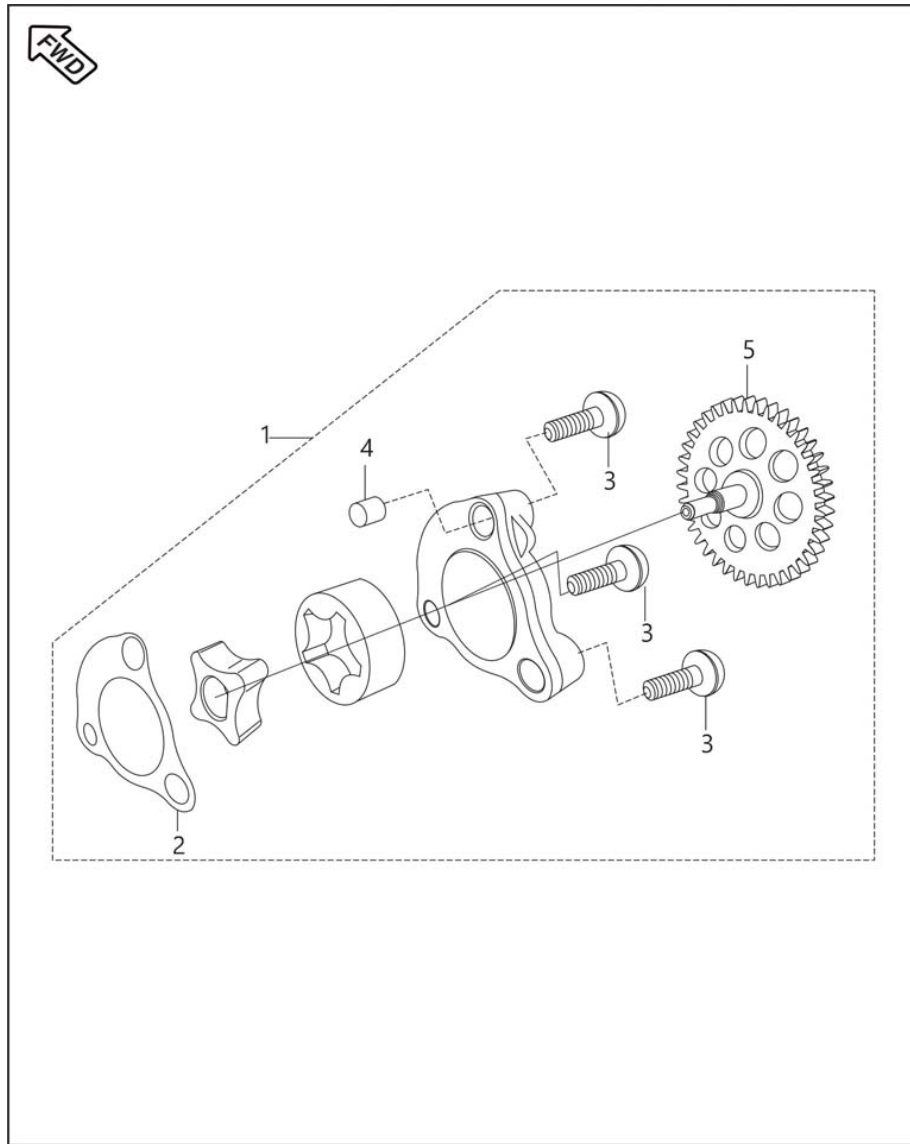
Sr. No.	Part No.	Description	QTY.	Remarks
1	PF581057	FILTER ASSEMBLY AIR	1	
2	DY581002	COVER FILTER AIR	1	
3	LBU00007	SCREW TRUSS M5X0.8	8	
4	PF581135	ELEMENT ASSEMBLY FILTER AIR	1	Added Ref.Cir.IB-370
5	DU121052	RING SEAL AF CT100	1	
6	DH121103	DUCT	1	
7	DS121126	PLUG	1	
8	DP121025	CLAMP (ID 12.5 MM)	2	
9	DY581010	TUBE DRAIN B105A	1	
10	DY581009	TUBE BREATHER B105A	1	
11	DG121040	CLAMP	1	
12	JY581028	CLAMP	1	



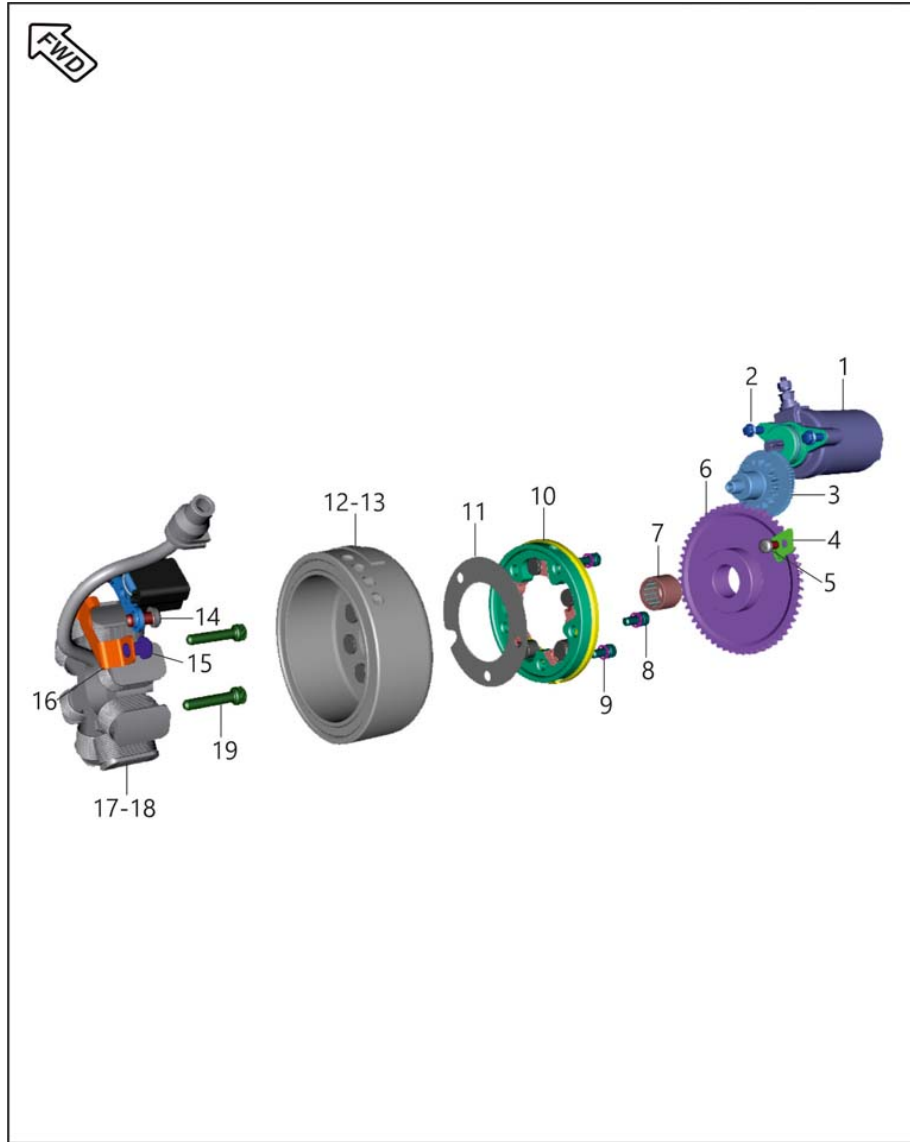
Sr. No.	Part No.	Description	QTY.	Remarks
13	PF581058	TUBE CONNECTING	1	
14	DM221001	BAND FOR TOOL KIT	1	
15	JL181026	NUT CLIP M5	2	
16	DY581005	SPACER BATTERY 3A	1	
17	DY401801	PAD BATTERY	1	
18	PF581136	ELEMENT FILTER AIR	1	Single Element Air Filter
19	PF582904	ELEMENT FILTER AIR	1	Added Ref.Cir.IB-480



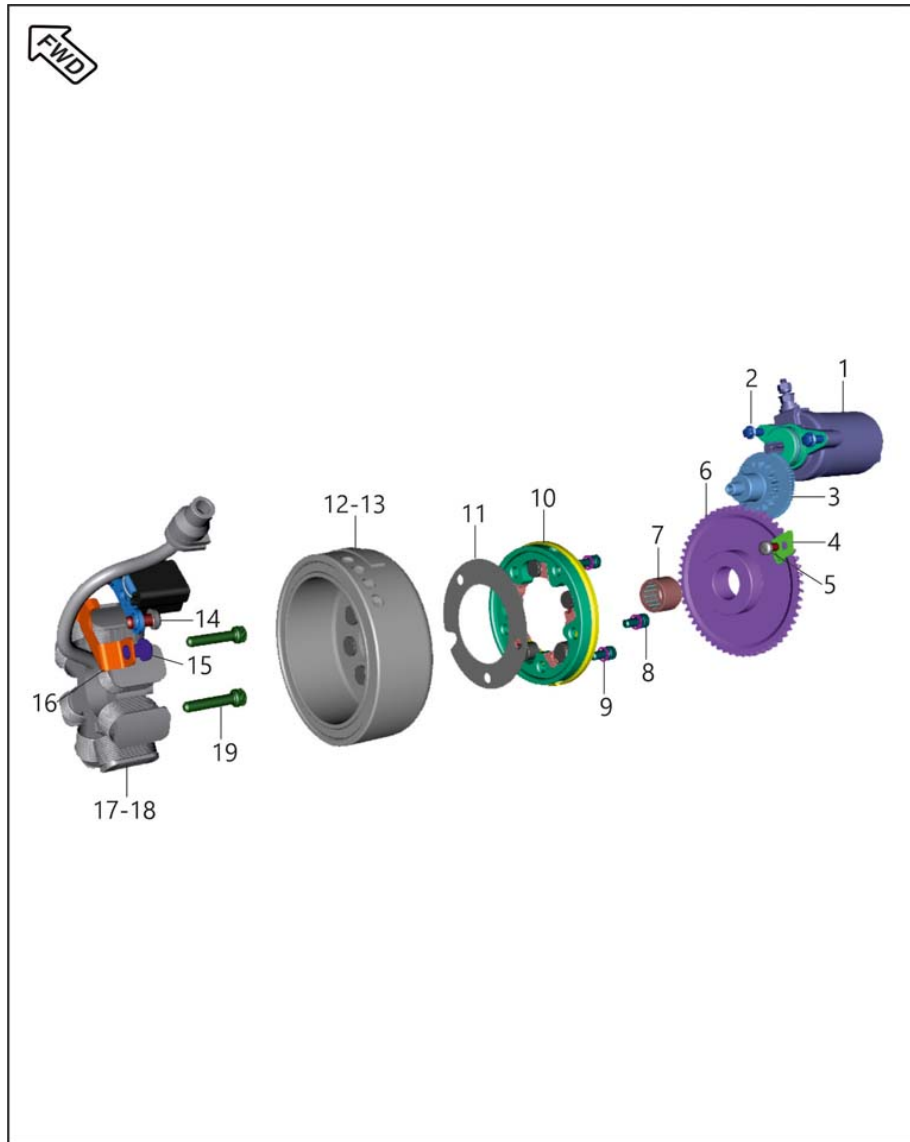
Sr. No.	Part No.	Description	QTY.	Remarks
1	PF591269	ASSEMBLY SILENCER	1	
2	PF591239	SILENCER ASSEMBLY	1	Ref.Cir.IB-426
3	39229515	NUT - FLANGE :- M8	1	
4	DK101610	BOLT (M5) (SS 304)	1	
5	39249211	WASHER - PLAIN	1	
6	39272204	BOLT - SOCKET HEAD :- M8 (OLIVE GREEN)	1	
7	JE591002	GASKET EXHAUST	1	
8	JE591280	GASKET EXHAUST	1	Ref.Cir.IB-406



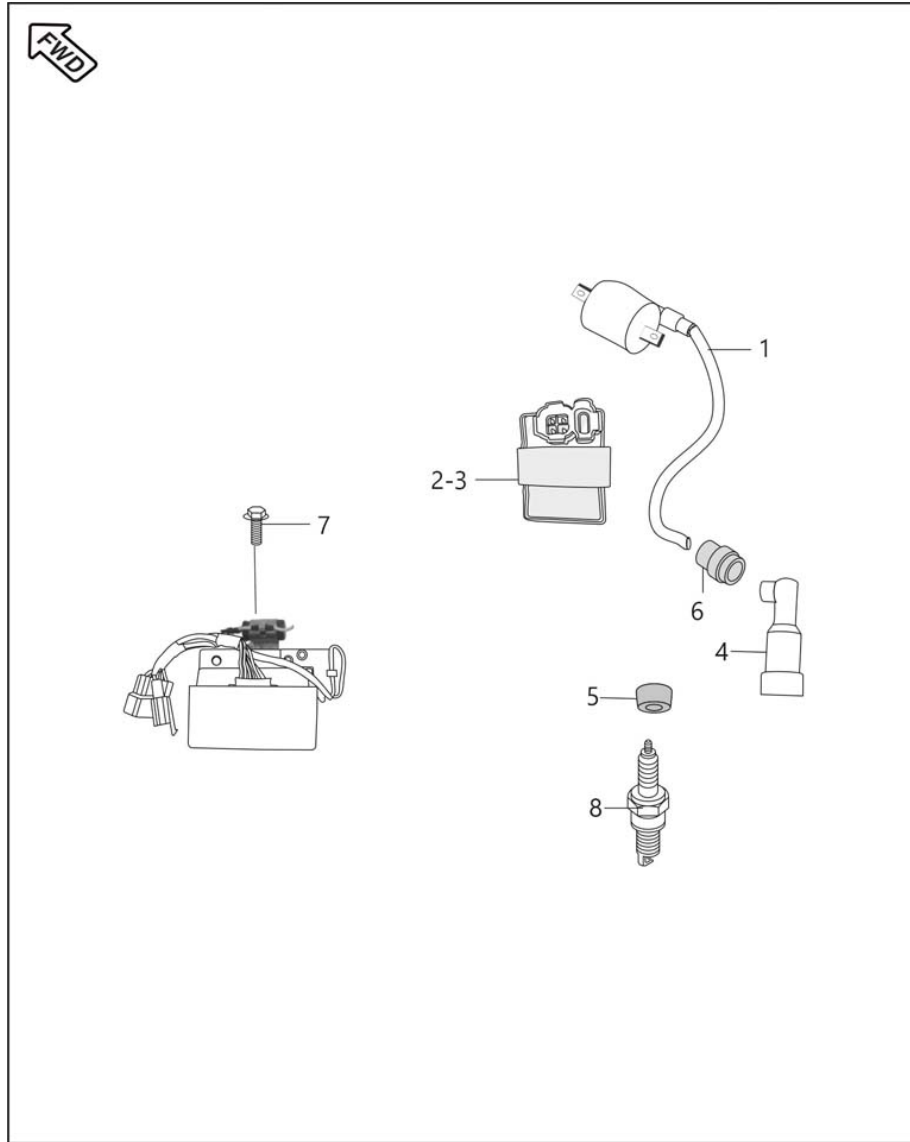
Sr. No.	Part No.	Description	QTY.	Remarks
1	JB571005	ASSEMBLY OIL PUMP D100 UG	1	
2	JA541016	GASKET CASE OIL PUMP	1	
3	FD101078	SCREW PAN CROSS :- PRE-COATED	3	
4	39099906	PIN - HOLLOW DOWEL	2	
5	JB571006	GEAR OIL PUMP D100 UG	1	



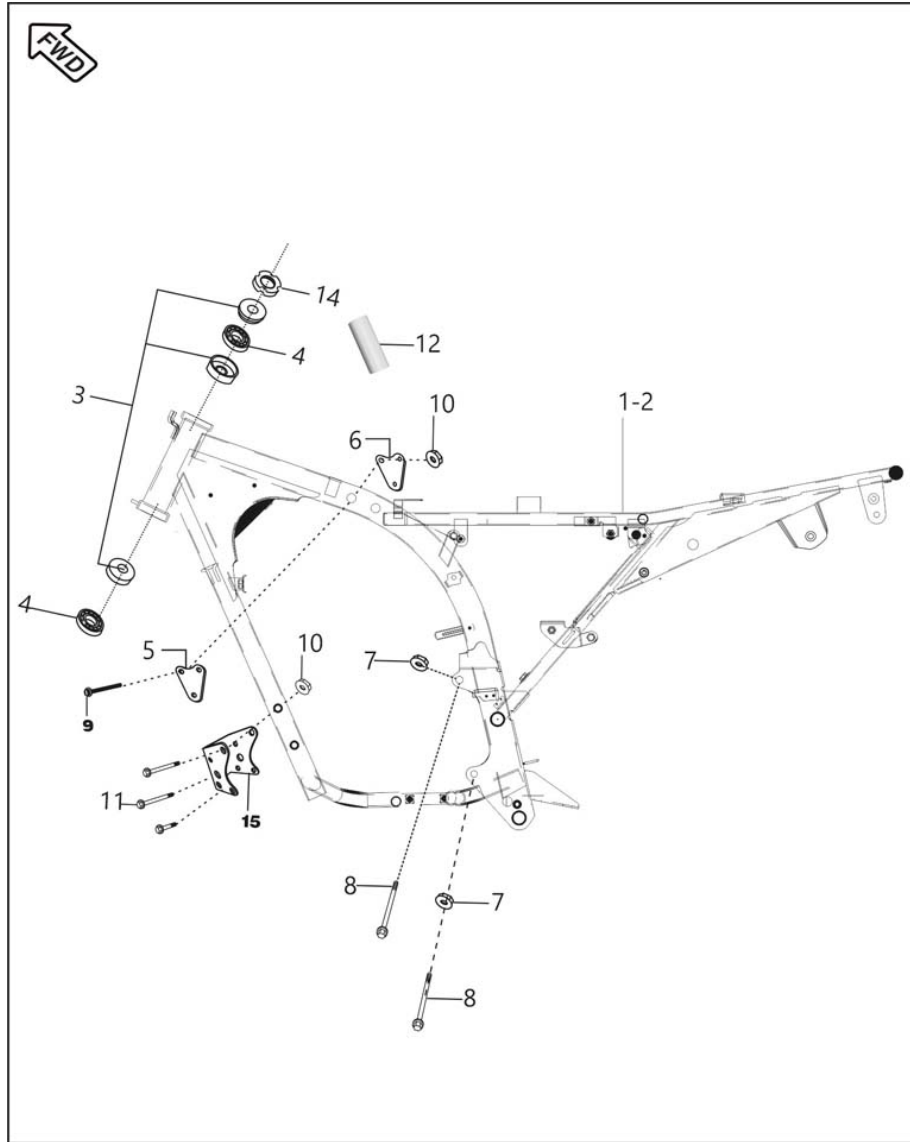
Sr. No.	Part No.	Description	QTY.	Remarks
1	JH351601	MOTOR ASSEMBLY STARTER	1	
2	KAED0625	BOLT-FLANGE-KAE ST-D DIA-06 L-25	2	
3	PF621400	STARTER DRIVE ASSEMBLY	1	
4	JH541021	BRACKET GEAR STOPPER C101D	1	
5	DH101380	SCREW - PAN :- PR-ECOATED (M6 X 12) - 39	1	
6	PF621411	GEAR ASSEMBLY STARTER CLUTCH	1	
7	PF621404	NRB GEAR STARTER	1	
8	39097204	BOLT - SOCKET :- M6	3	
9	39084914	WASHER - LOCK :- TOOTHED	3	
10	36DK0076	KIT Starter Clutch Assembly DK101595	1	
11	DK101605	PLATE ROLLER CLUTCH(SS 304)	1	
12	PF351046	ROTOR ASSEMBLY	1	



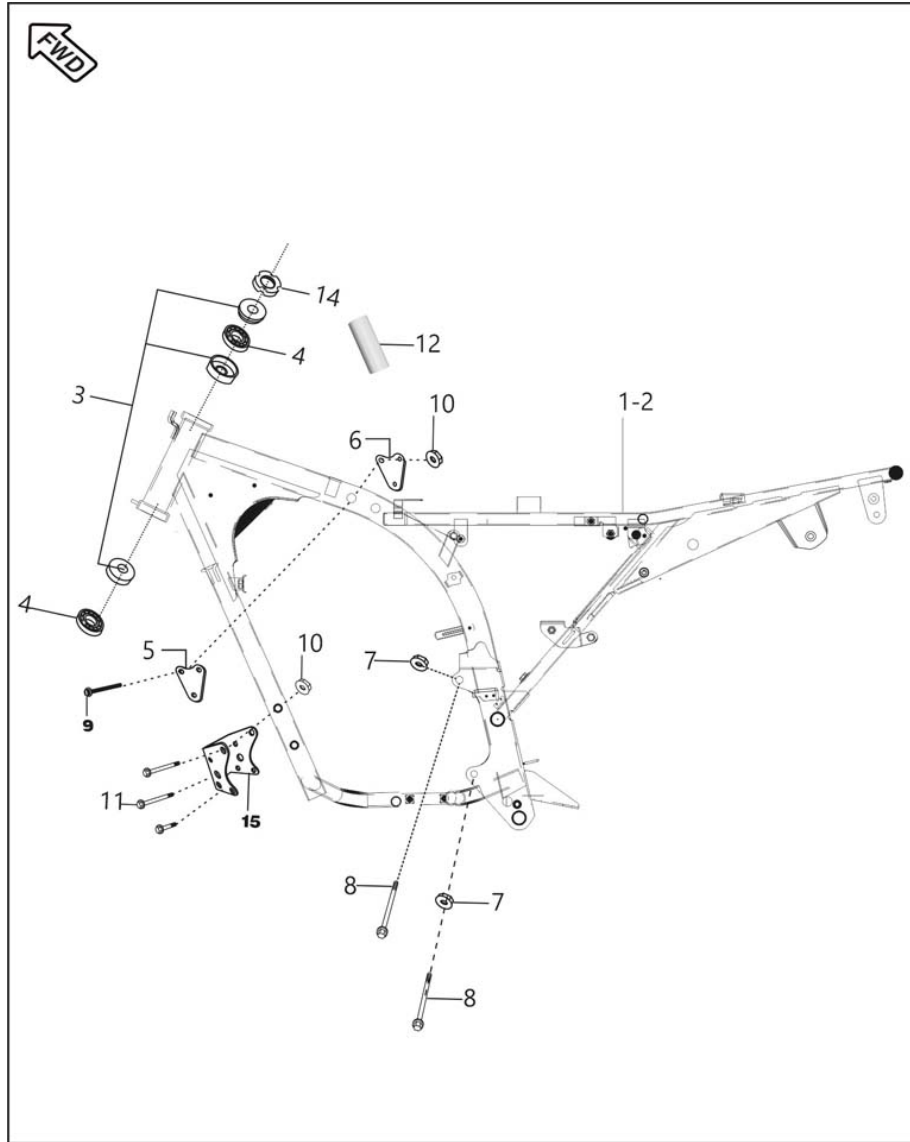
Sr. No.	Part No.	Description	QTY.	Remarks
13	PF351022	ROTOR ASSEMBLY	1	Ref.Cir.IB-406
15	KBBC0608	SCREW PAN CROSS-M6X1XL 8XOLV GRN	1	
16	PF541242	BRACKET STATOR HARNESS B104D	1	
17	DY351004	ASSEMBLY STATOR B105A	1	
18	PF351056	STATOR ASSEMBLY	1	Ref.Cir.IB-406
19	LAC00052	BOLT SOCKET-M6X1XL28XBRTXPRECOAT	2	



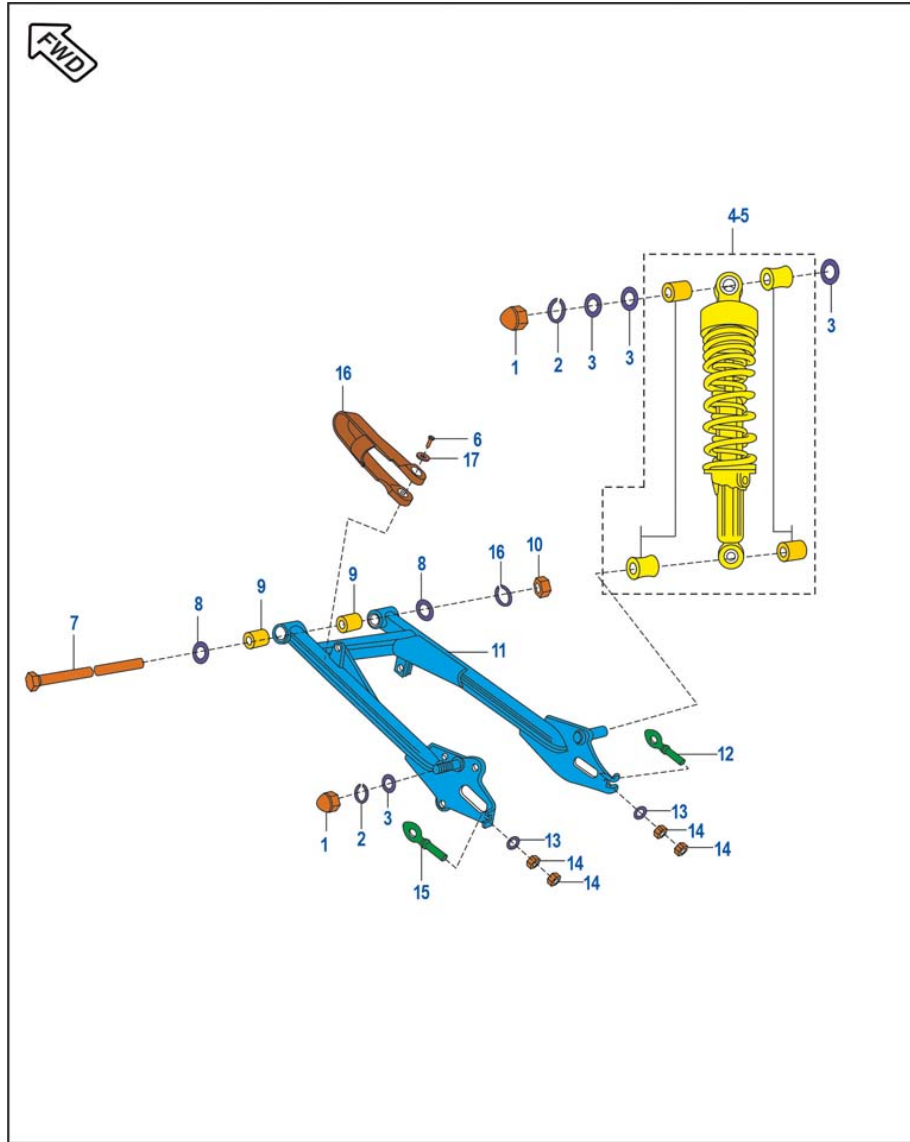
Sr. No.	Part No.	Description	QTY.	Remarks
1	DY351201	COIL HT WITH CABLE B105A	1	
2	PF351243	CDI	1	
3	PF351252	CDI	1	Ref.Cir.IB-406
4	DD111048	CAP - SPARK PLUG :- RESISTIVE 1K-ohm	1	
5	DD111011	GROMMET - SPARK PLUG CAP	1	
6	DD111012	GROMMET FOR H. T. CABLE	1	
7	39194304	BOLT - FLANGED	2	
8	CF111019	PLUG - SPARK :- UR4AC	1	



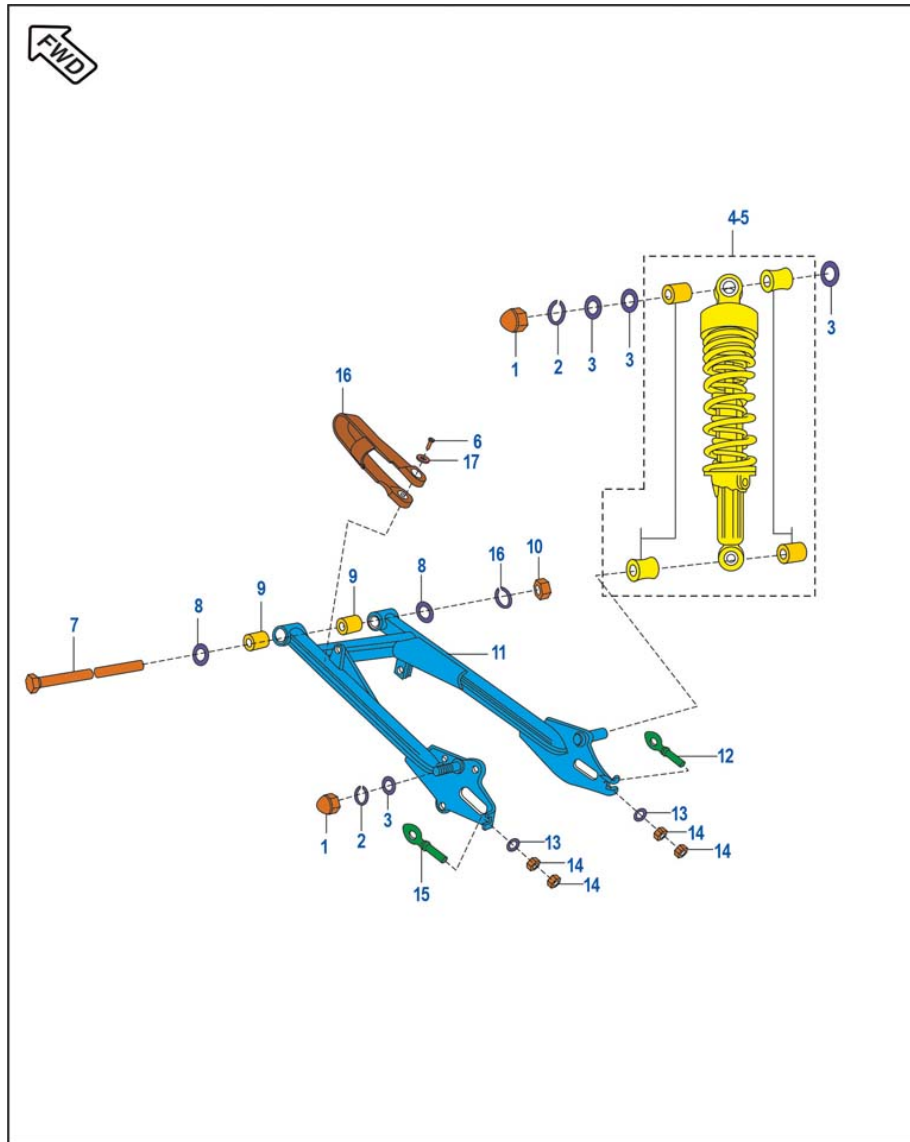
Sr. No.	Part No.	Description	QTY.	Remarks
1	DM161201	FRAME ASSEMBLY	1	
2	DM161217	FRAME ASSEMBLY	1	Ref.Cir.IB-406
3	36DZ2008	KIT ST. CONE WITH GREASE	1	
4	DJ181115	CAGE BEARING - STEERING	2	
5	DM161192	BRACKET ENGINE HANGER LH	1	
6	DM161193	BRACKET ENGINE HANGER RH	1	
7	KADD0880	BOLT FLANGED M8X1.25	2	
8	KADD0885	BOLT FLANGED M8X1.25	2	
10	39197015	NUT - HEXAGON WITH FLANGE :- M8	7	
11	KCGD0808	NUT HEX FLANGED	4	
12	DU161196	TAPE - FRAME	1	
13	DH181014	CUP - STEERING	1	N.I.



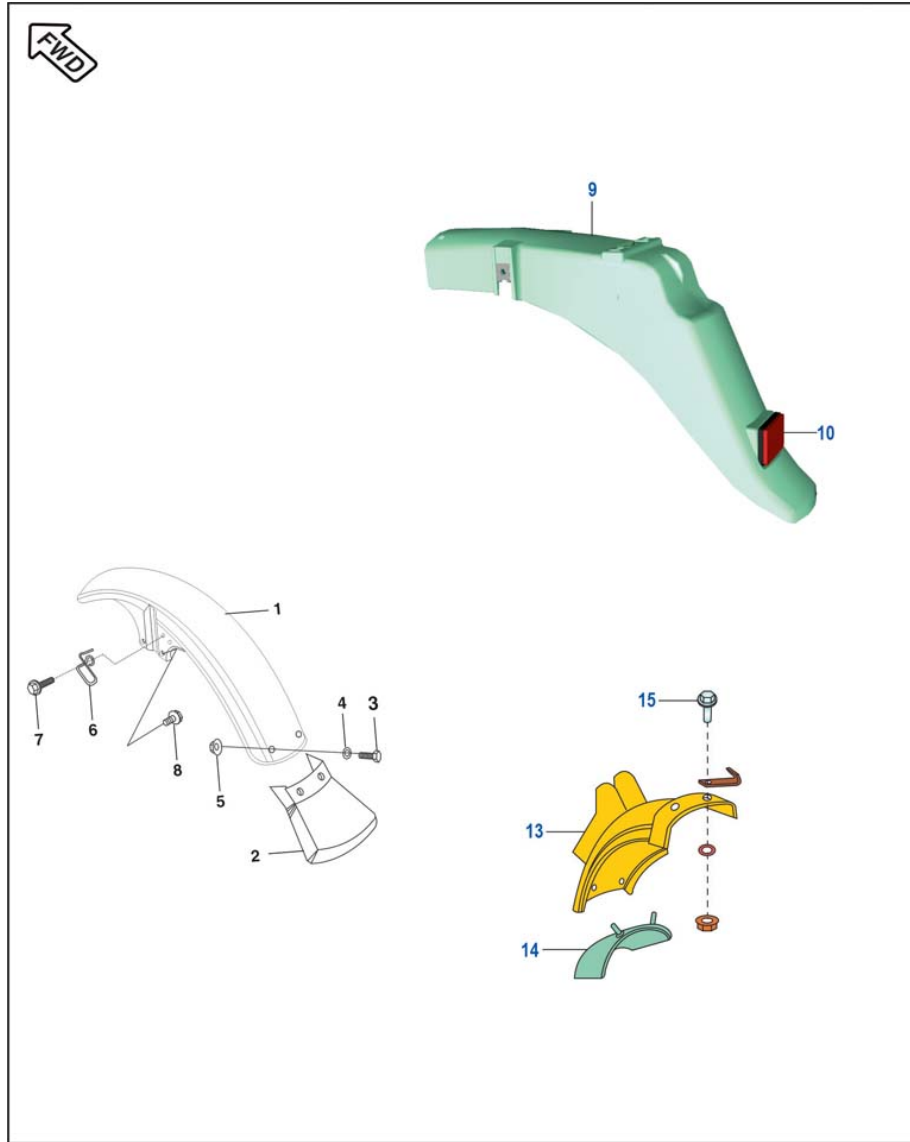
Sr. No.	Part No.	Description	QTY.	Remarks
14	DF181090	NUT - STEERING BEARING	1	
15	DY113400	BRACKET ENGINE MTG FRONT	1	



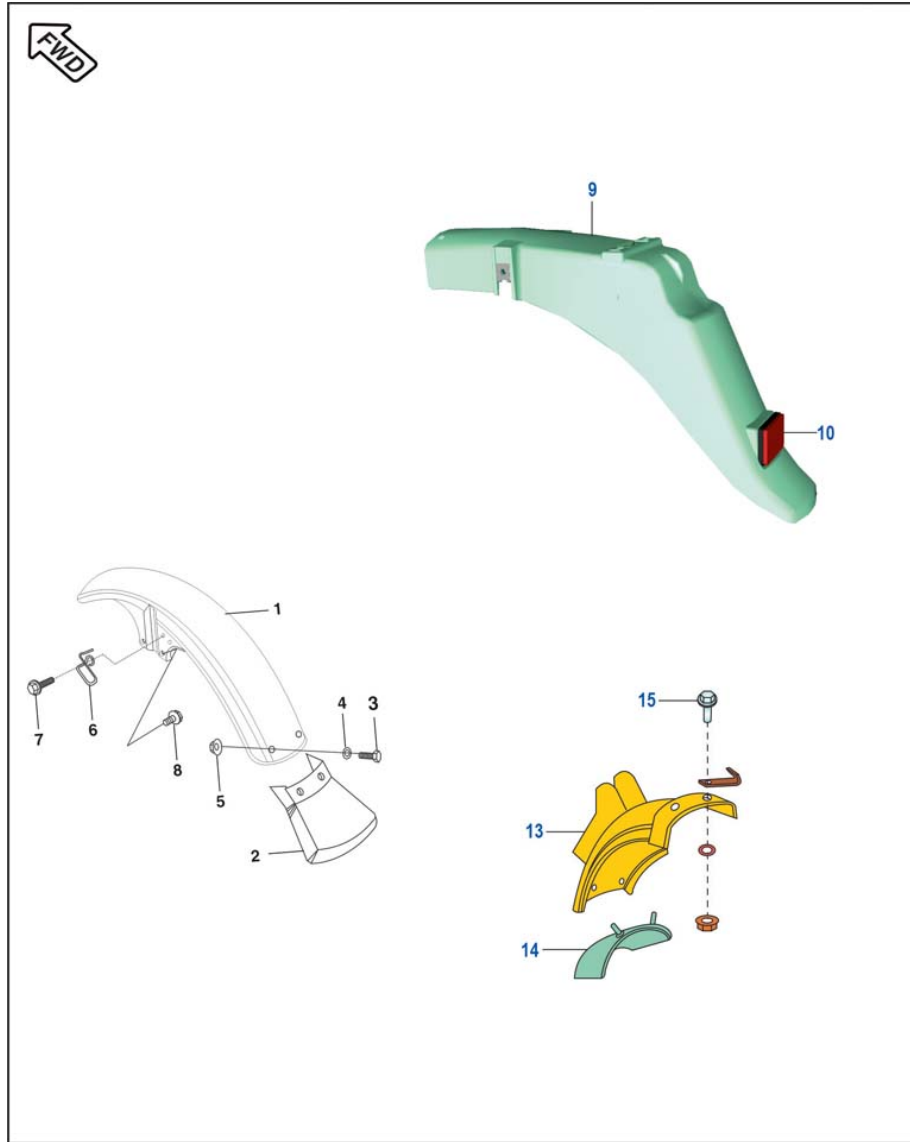
Sr. No.	Part No.	Description	QTY.	Remarks
1	39236615	NUT DOMED CAP	2	
2	39073712	WASHER - SPRING	4	
3	39071411	WASHER - PLAIN	4	
4	DM171027	REAR SHOCK ABSORBER	2	
5	DM171320	SHOCKABSORBER REAR	2	
5	DM171321	SHOCKABSORBER REAR	2	Added Ref.Cir.IB-473
6	KBRB3513	SCREW TAPPING PAN CROSS	2	
7	31171006	SHAFT - SWING ARM	1	
8	39020111	WASHER - PLAIN	2	
9	30171018	BUSHING - RUBBER	2	
10	39122515	NUT - HEXAGON WITH FLANGE :- M10	1	
11	DM171319	ARM COMP SWING	1	



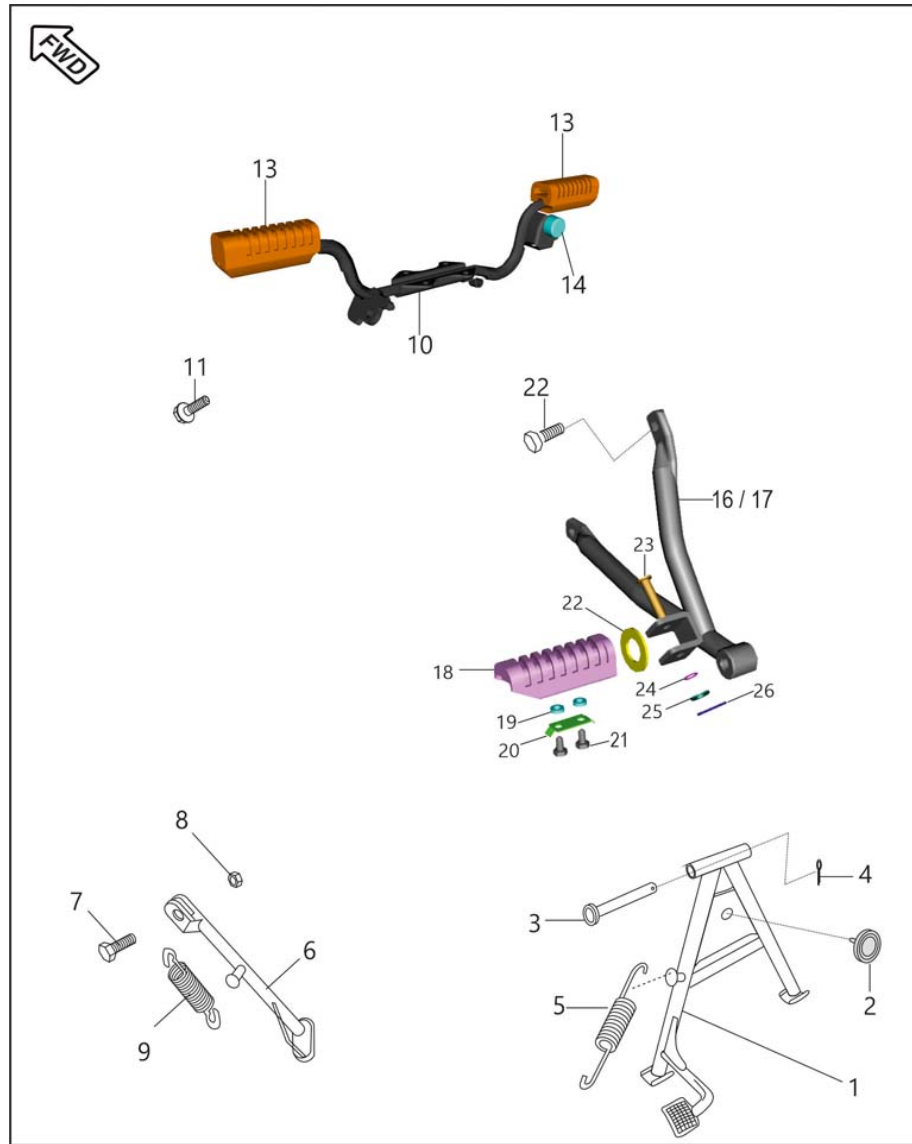
Sr. No.	Part No.	Description	QTY.	Remarks
12	52DZ0046	CHAIN ADJUSTER S/A RH (PLATINA ALLOY WH)	1	
13	39071111	WASHER - PLAIN	2	
14	39029215	NUT - HEXAGON :- M6 X 1	4	
15	52DZ0047	CHAIN ADJUSTER S/A LH(PLATINA ALLOY WH)	1	
16	31171012	DAMPER FOR SWING ARM	1	
17	39045411	WASHER - PLAIN	2	



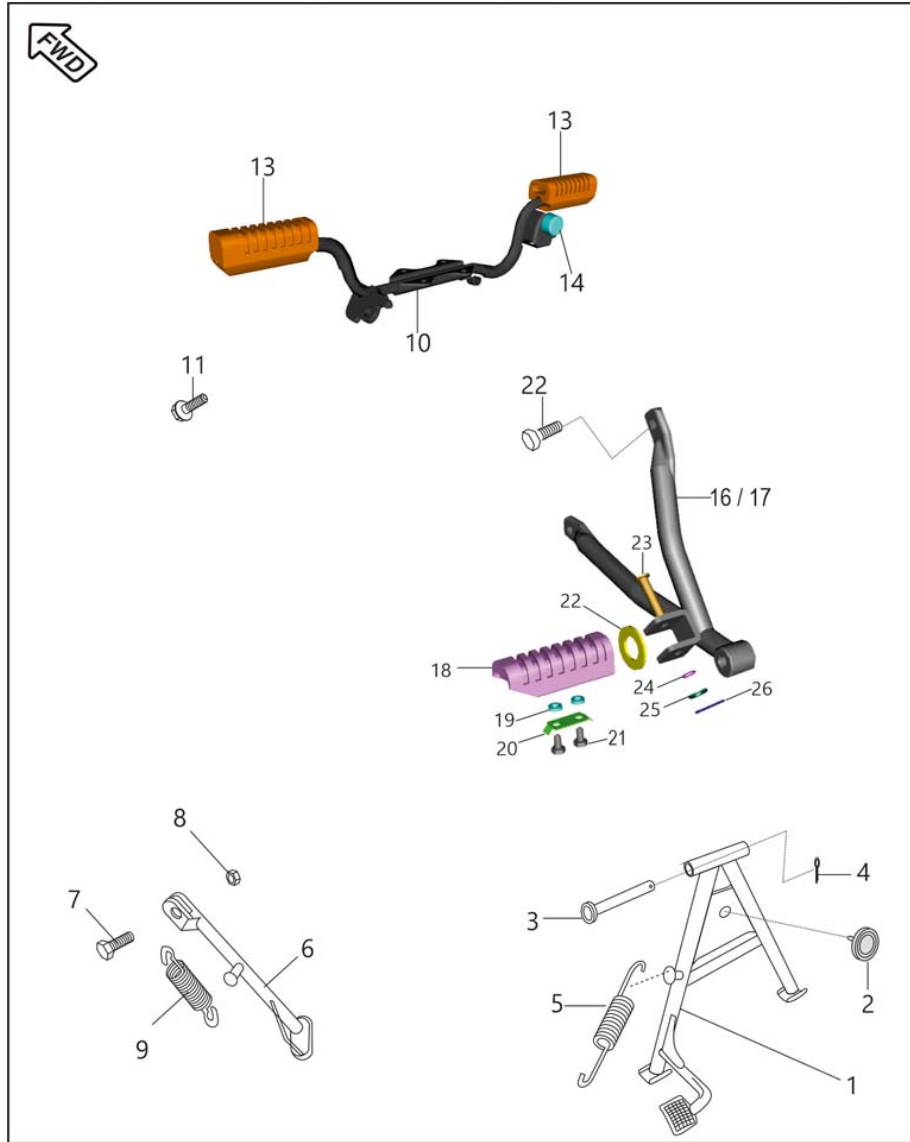
Sr. No.	Part No.	Description	QTY.	Remarks
1	DF161242	FENDER ASSEMBLY - FRONT	1	
2	DF161245	MUDFLAP - FRONT	1	
3	22150435	BOLT	2	
4	39183911	WASHER - PLAIN	4	
5	39248415	NUT - FLANGE :- M5	2	
6	DF191020	CLAMP	1	
7	KADD0612	BOLT FLANGED M6X1	1	
8	39222204	BOLT - FLANGED :- M8	4	
9	DF161104	FENDER - REAR	1	
10	30201069	REFLECTOR - REFLEX	1	
12	CB161106	NUT - CLIP :- M6	1	N.I.
13	DM161009	FENDER - REAR :- FRONT	1	



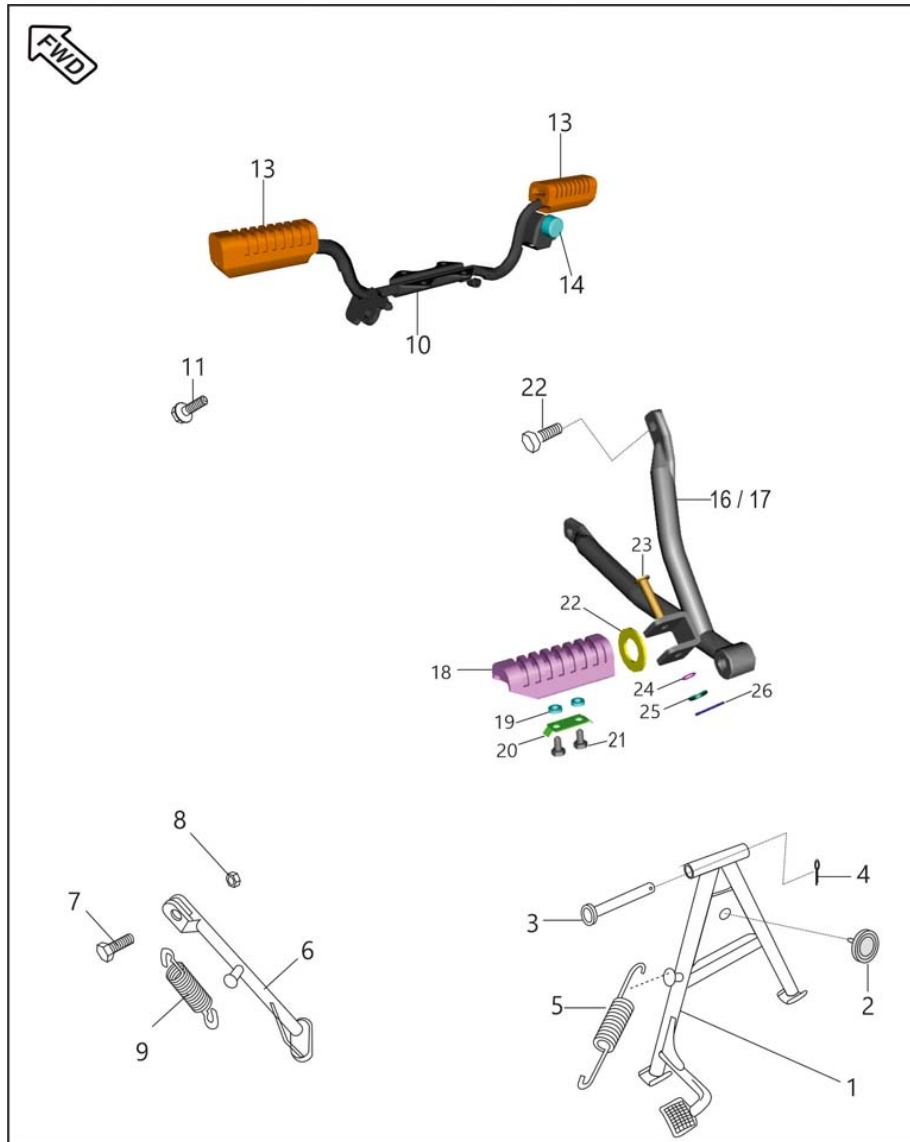
Sr. No.	Part No.	Description	QTY.	Remarks
14	DD161051	FLAP FOR FENDER - REAR :- FRONT	1	
15	39248304	BOLT - HEXAGON HEAD WITH FLANGE :- M6	2	



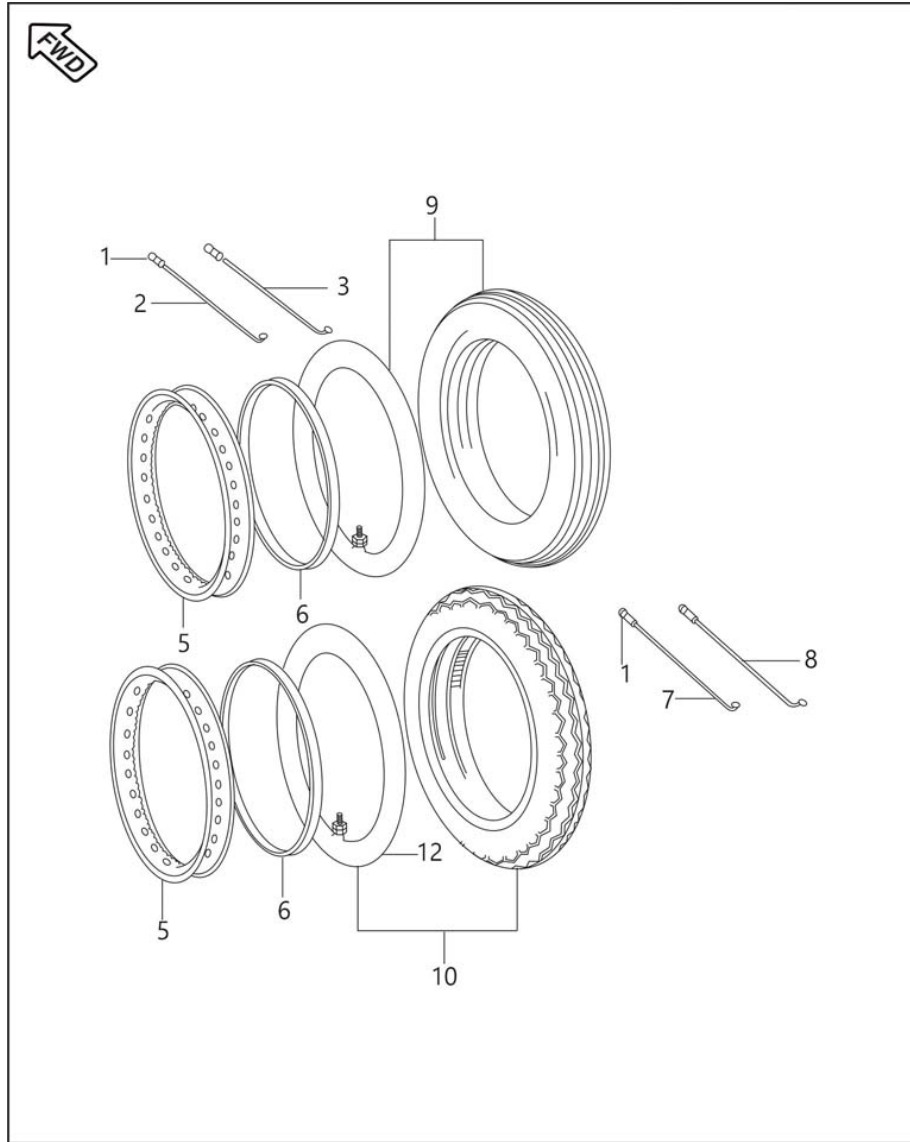
Sr. No.	Part No.	Description	QTY.	Remarks
1	DU161032	STAND - CENTER WITH DAMPER	1	
2	DG161124	DAMPER	1	
3	30161157	SHAFT - STAND	1	
4	39079708	PIN - COTTER	1	
5	30161158	SPRING	1	
6	DY113200	STAND SIDE	1	
7	DF161102	BOLT FOR SIDE STAND MOUNTING	1	
8	39042215	NUT - NYLOC :- M10	1	
9	DH161066	SPRING - SIDE STAND	1	
10	DU161325	HOLDER ASSEMBLY STEP RIDER	1	
11	KADD0814	BOLT FLANGED M8X1.25	4	
12	39248104	BOLT - HEXAGON HEAD WITH FLANGE :- M8	2	N.I.



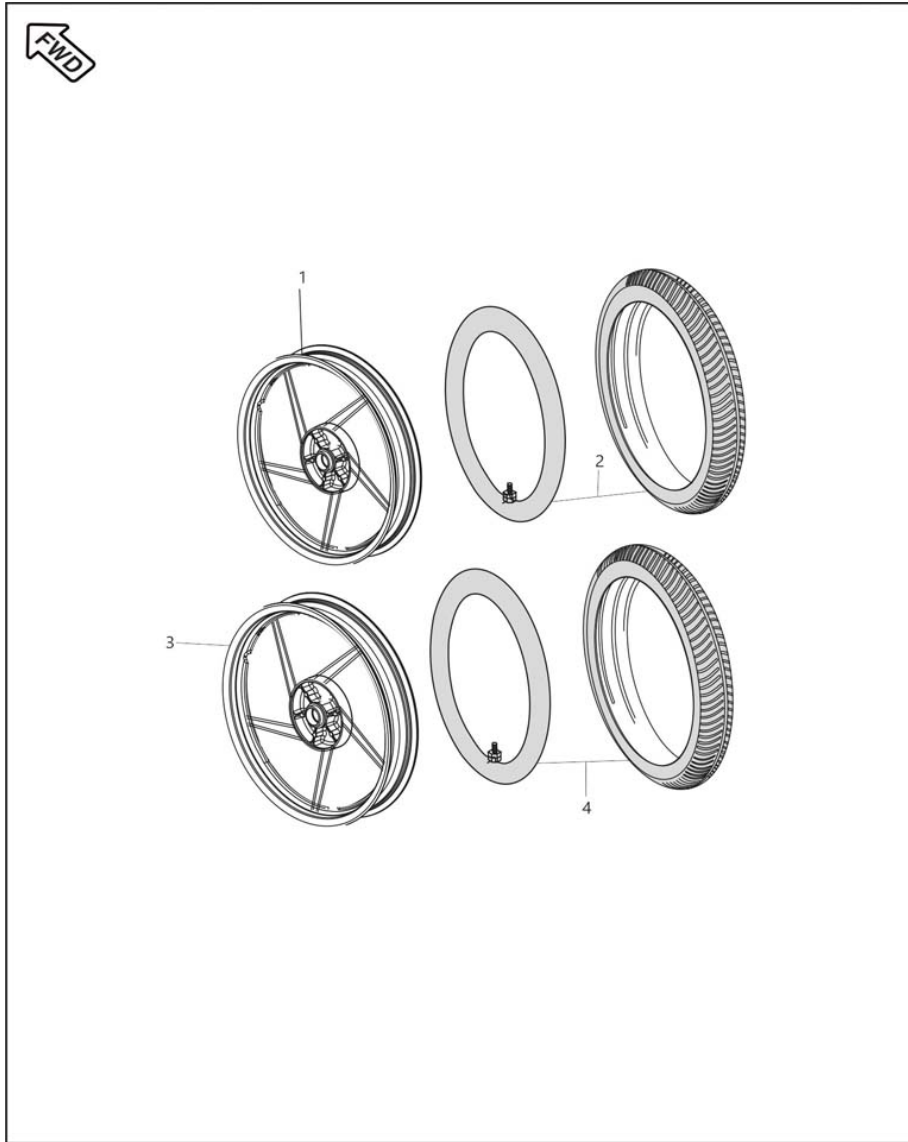
Sr. No.	Part No.	Description	QTY.	Remarks
13	DF161413	DAMPER - STEP :- FRONT IN 'PVC'	2	
14	DG161224	DAMPER	1	
15	DX161067	PLATE LOCK PILLION STEP	1	N.I.
16	DU161144	STAY : STAY LH	1	
17	DM161206	HOLDER ASSEMBLY STEP PILLION RH	1	
18	DX161056	RUBBER PILLION STEP	1	
19	DH161178	SPACER I - MAIN STEP	2	
21	22150451	SCREW - CYLINDER SECURING	2	
22	DJ161186	WASHER	1	
23	DD161381	PIN - PILLION STEP	1	
24	30141031	RING - O	1	
25	39104011	WASHER - PLAIN	1	



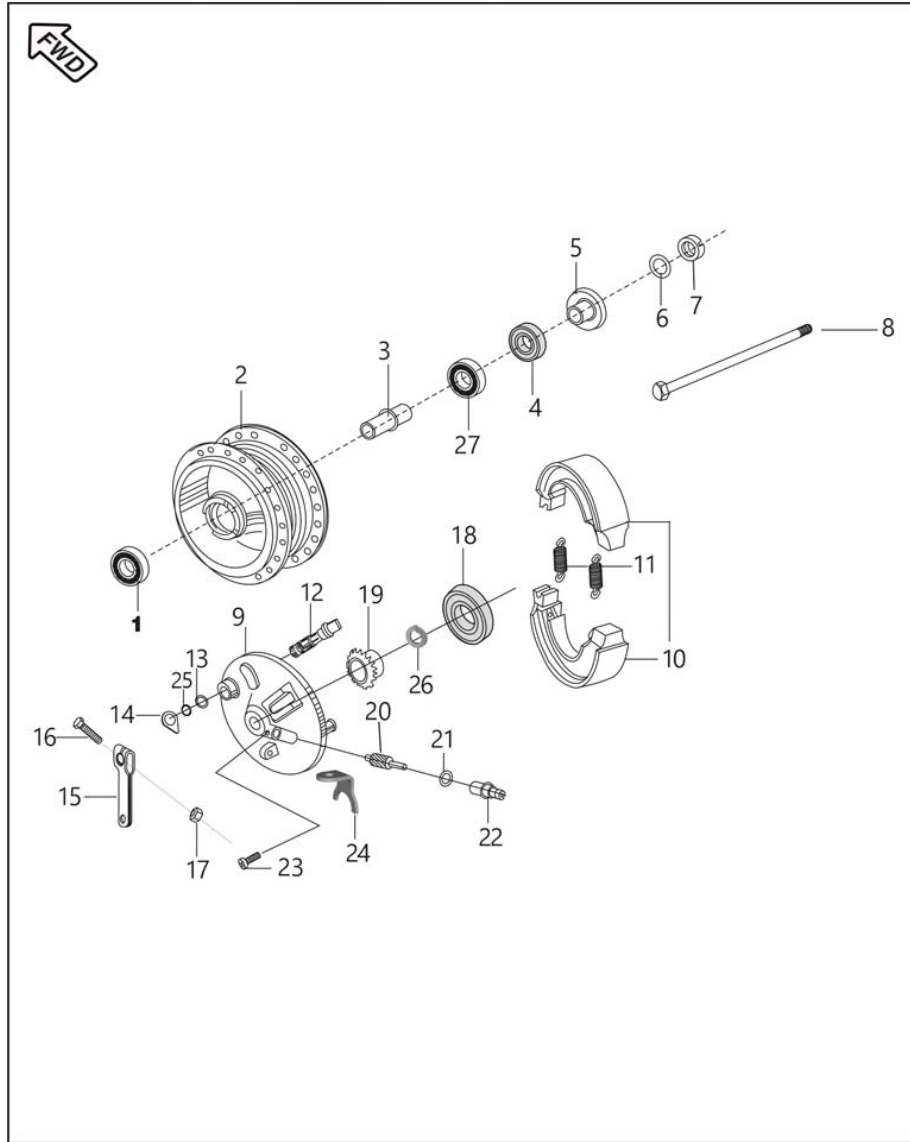
Sr. No.	Part No.	Description	QTY.	Remarks
26	KHAA2520	PIN COTTER	1	



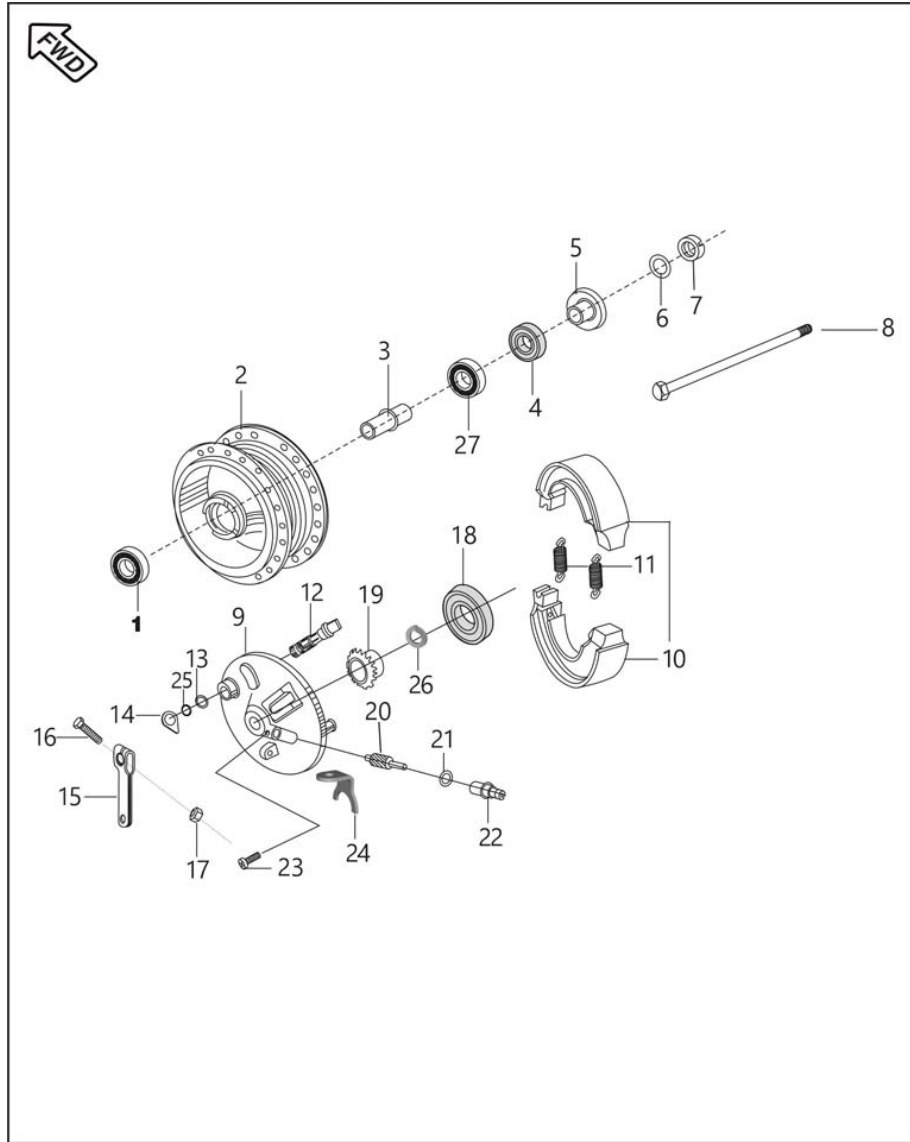
Sr. No.	Part No.	Description	QTY.	Remarks
1	16151066	NIPPLE - SPOKE	72	
2	DU151025	SPOKE : SPOKE INNER DIA 3.5	18	
3	DU151026	SPOKE : SPOKE OUTER DIA 3.5	18	
4	DM151029	RIM - 1.60 X 17 FOR DRUM BRAKE:-DIA. 110	1	
5	DS151046	RIM 1.85 X 17 REAR	1	
6	DG151022	BAND - RIM	2	
7	DS151009	SPOKE INNER REAR	18	
8	DS151010	SPOKE OUTER REAR	18	
9	DM151024	TYRE WITH TUBE - FRONT :- 2.75 - 17 RIB	1	
10	DM151027	TYRE WITH TUBE-REAR 3.00-17 RIB	1	



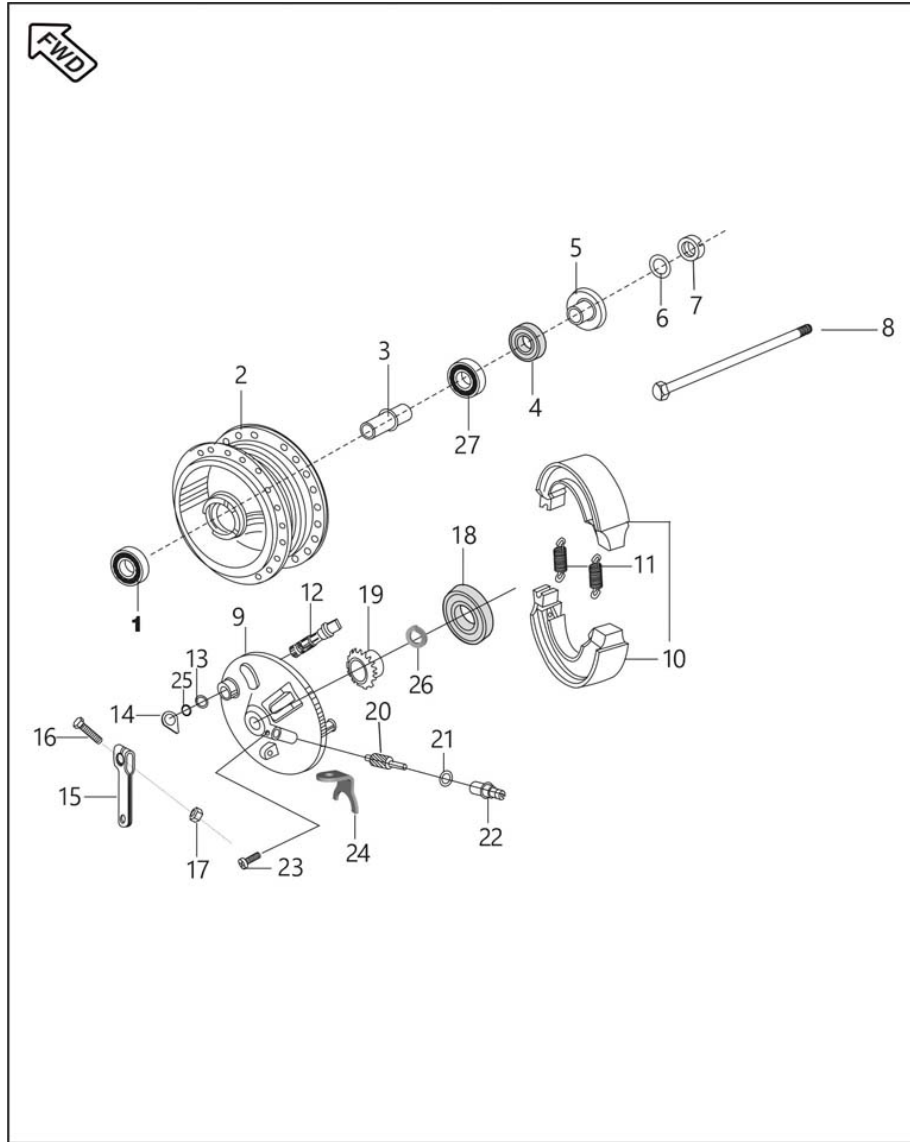
Sr. No.	Part No.	Description	QTY.	Remarks
1	DM151320	WHEEL FRONT 1.40 X 17	1	
2	DM151024	TYRE WITH TUBE - FRONT :- 2.75 - 17 RIB	1	
3	DM151323	WHEEL REAR 1.6 X 17	1	
4	DM151027	TYRE WITH TUBE-REAR 3.00- 17 RIB	1	



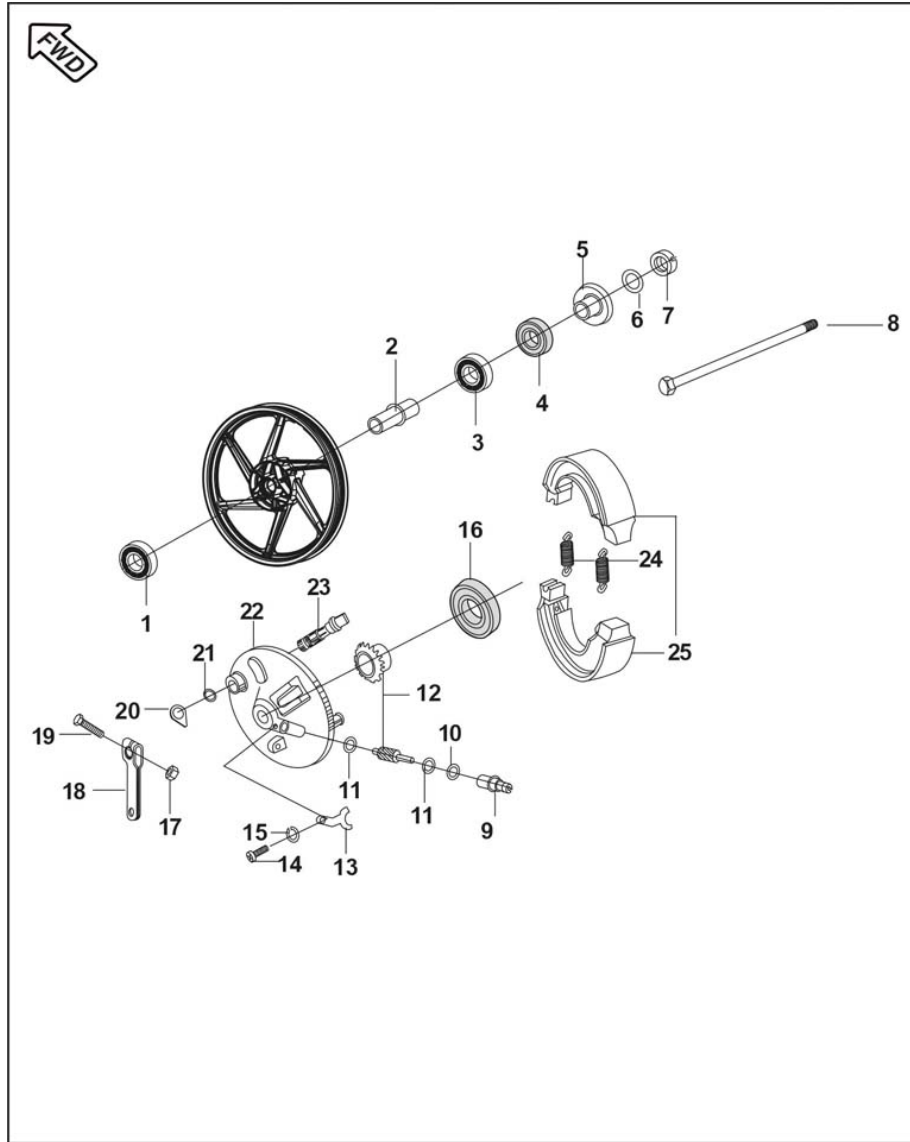
Sr. No.	Part No.	Description	QTY.	Remarks
1	39268020	BEARING - BALL :- 10X35X11 - 6300 1RS/C3	1	
2	DF151003	DRUM - FRONT	1	
3	31151004	COLLAR	1	
4	14151021	SEAL - OIL :- 30 X 17 X 6	1	
5	DU151005	COLLAR ASSEMBLY - AXLE	1	
6	39024811	WASHER - PLAIN	1	
7	DU151031	NUT - U :- M10 X 1.25 X A/F 17	1	
8	DZ151012	AXLE	1	
9	DZ151027	PANEL - FRONT BRAKE	1	
10	JB131804	BRAKE SHOE KIT (NON ASBESTOS)	1	
11	30151069	SPRING	2	
12	31151011	CAM - BRAKE	1	



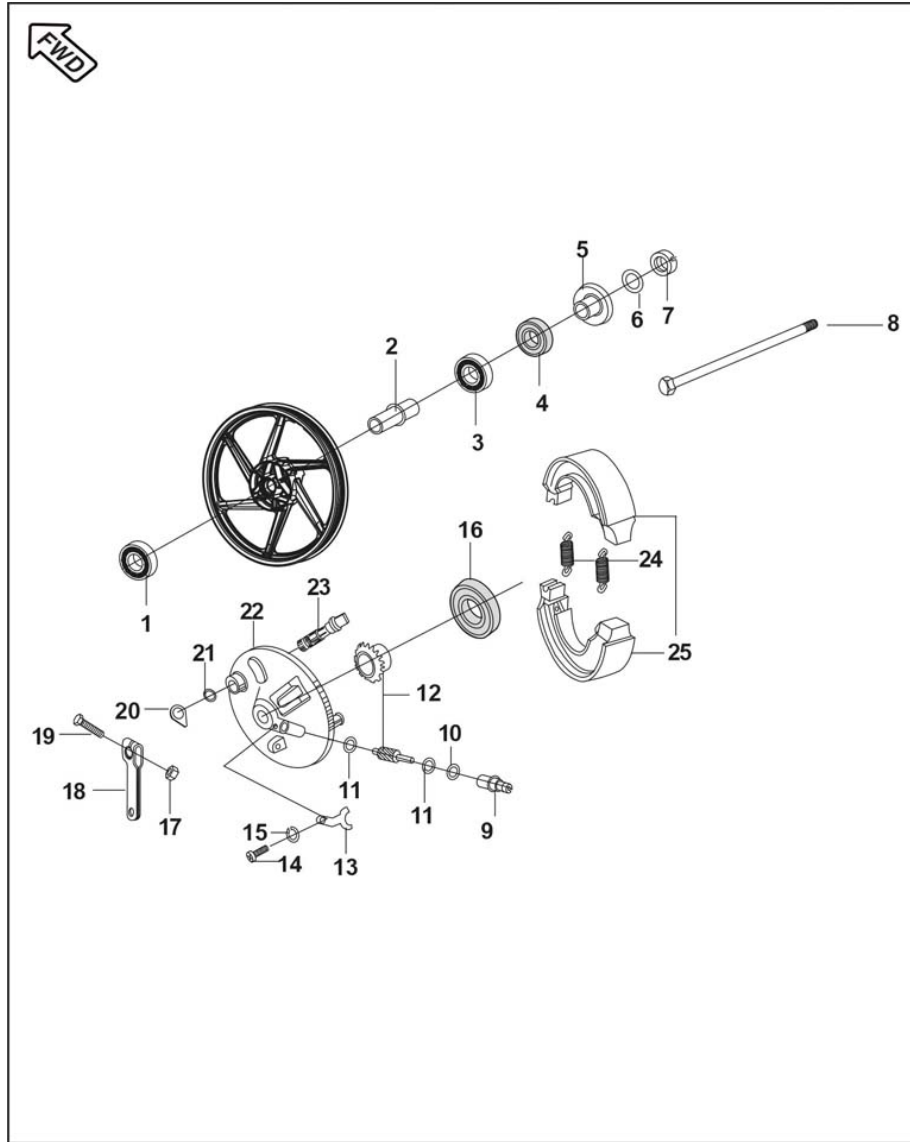
Sr. No.	Part No.	Description	QTY.	Remarks
13	30151038	RING - O	1	
14	DD151009	INDICATOR FOR FRONT	1	
15	DD151008	LEVER - BRAKE CAM	1	
16	39077504	BOLT - HEXAGON :- M6 X 1	1	
17	39079815	NUT - HEXAGON WITH FLANGE :- M6	1	
18	31151014	SEAL - OIL	1	
19	31151064	GEAR - SPEEDOMETER	1	
20	30151041	GEAR METER SCREW	1	
21	39024211	WASHER - PLAIN	1	
22	JA131606	BUSHING	1	
23	KBBA0408	SCREW PAN CROSS	1	
24	30151118	STOPPER FOR BUSHING	1	



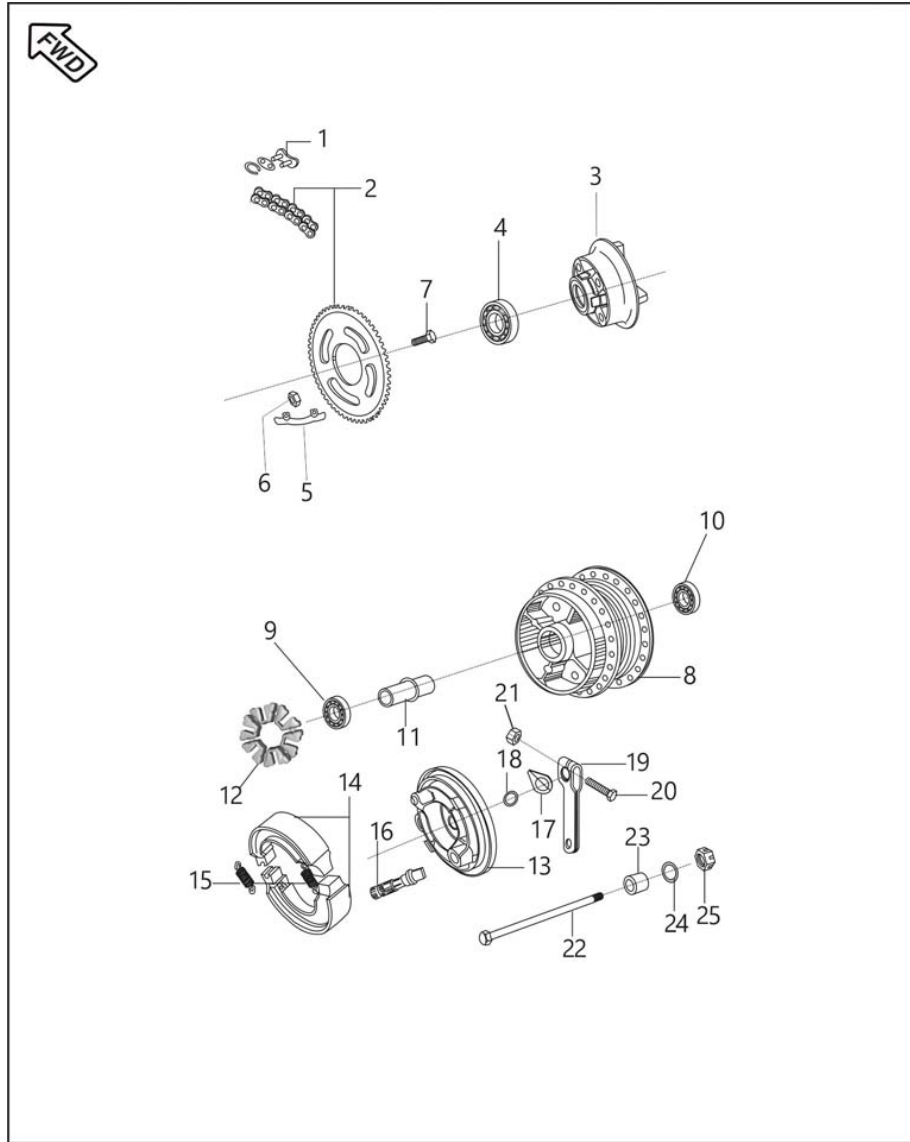
Sr. No.	Part No.	Description	QTY.	Remarks
25	39101321	RING - O	1	
26	39090012	WASHER - SPRING	1	
27	39268120	BEARING - BALL :- 10X30X9 - 6200 1RS/C3	1	



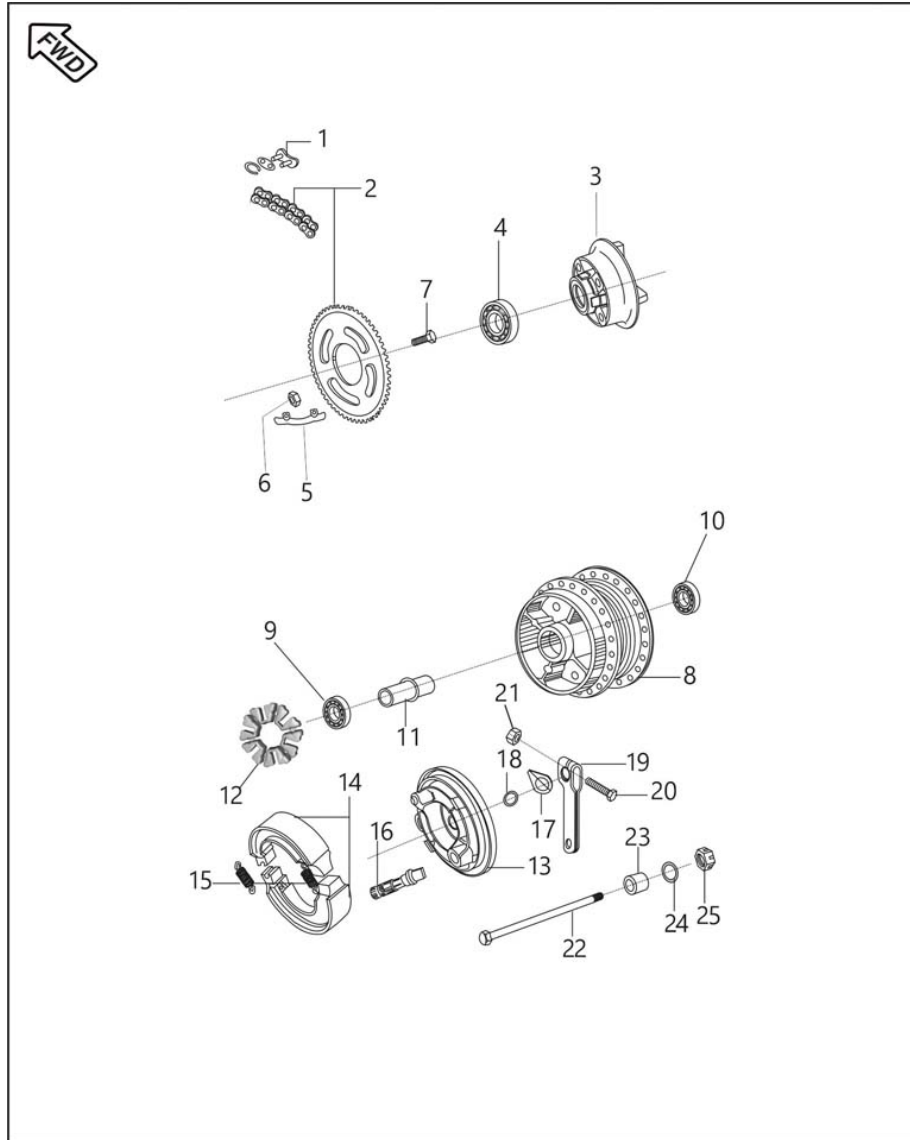
Sr. No.	Part No.	Description	QTY.	Remarks
1	KPBB6202	BEARING-BALL-C3 CLEARANCE	1	
2	31151004	COLLAR	1	
4	31151014	SEAL - OIL	1	
5	DU151005	COLLAR ASSEMBLY - AXLE	1	
6	39024811	WASHER - PLAIN	1	
7	39079815	NUT - HEXAGON WITH FLANGE :- M6	1	
8	DZ151012	AXLE	1	
9	JA131606	BUSHING	1	
10	39101321	RING - O	1	
12	30151041	GEAR METER SCREW	1	
13	30151118	STOPPER FOR BUSHING	1	
14	39084001	SCREW PAN CROSS - M4	1	



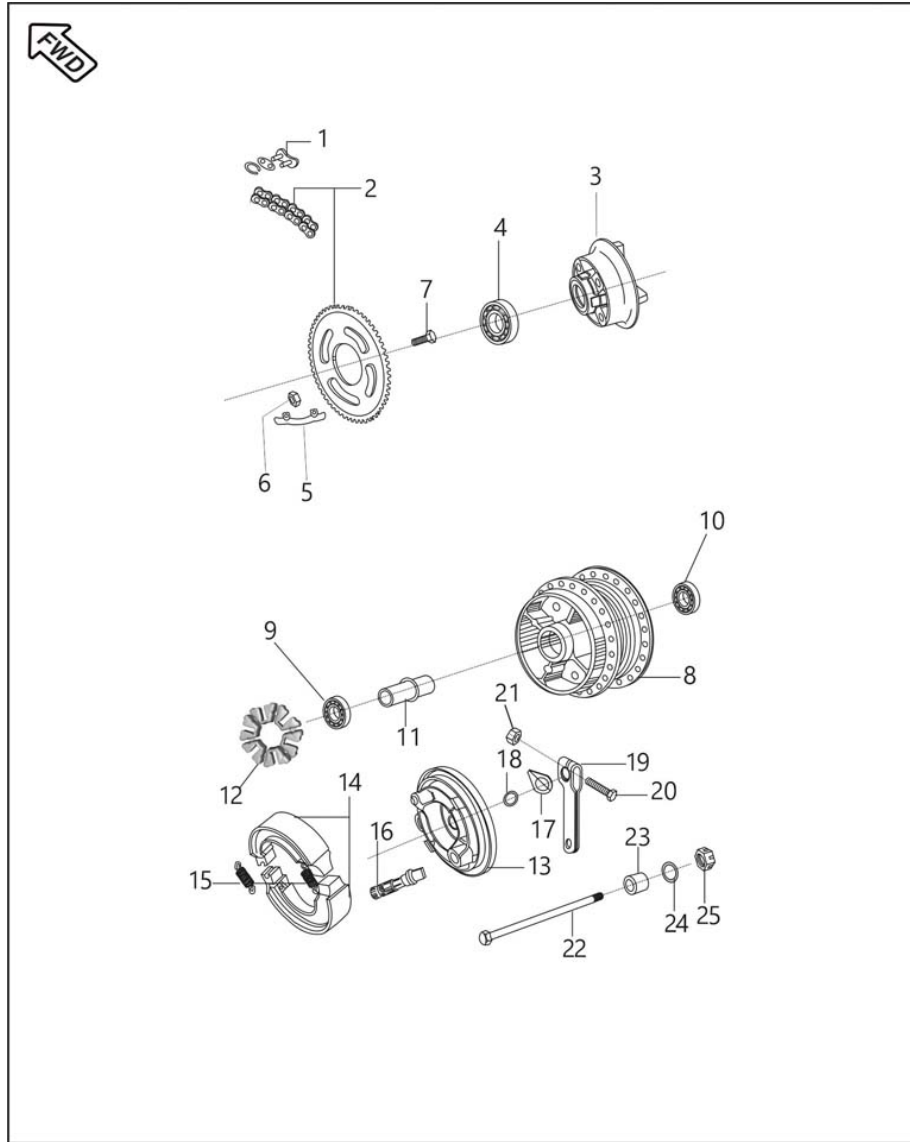
Sr. No.	Part No.	Description	QTY.	Remarks
15	39090012	WASHER - SPRING	1	
17	DS151094	FLANGED NUT	1	
18	DD151008	LEVER - BRAKE CAM	1	
19	39077504	BOLT - HEXAGON :- M6 X 1	1	
20	DD151009	INDICATOR FOR FRONT	1	
21	30151038	RING - O	1	
22	DZ151027	PANEL - FRONT BRAKE	4	
23	31151011	CAM - BRAKE	1	
24	30151069	SPRING	2	
25	JB131804	BRAKE SHOE KIT (NON ASBESTOS)	2	Non Asbestos



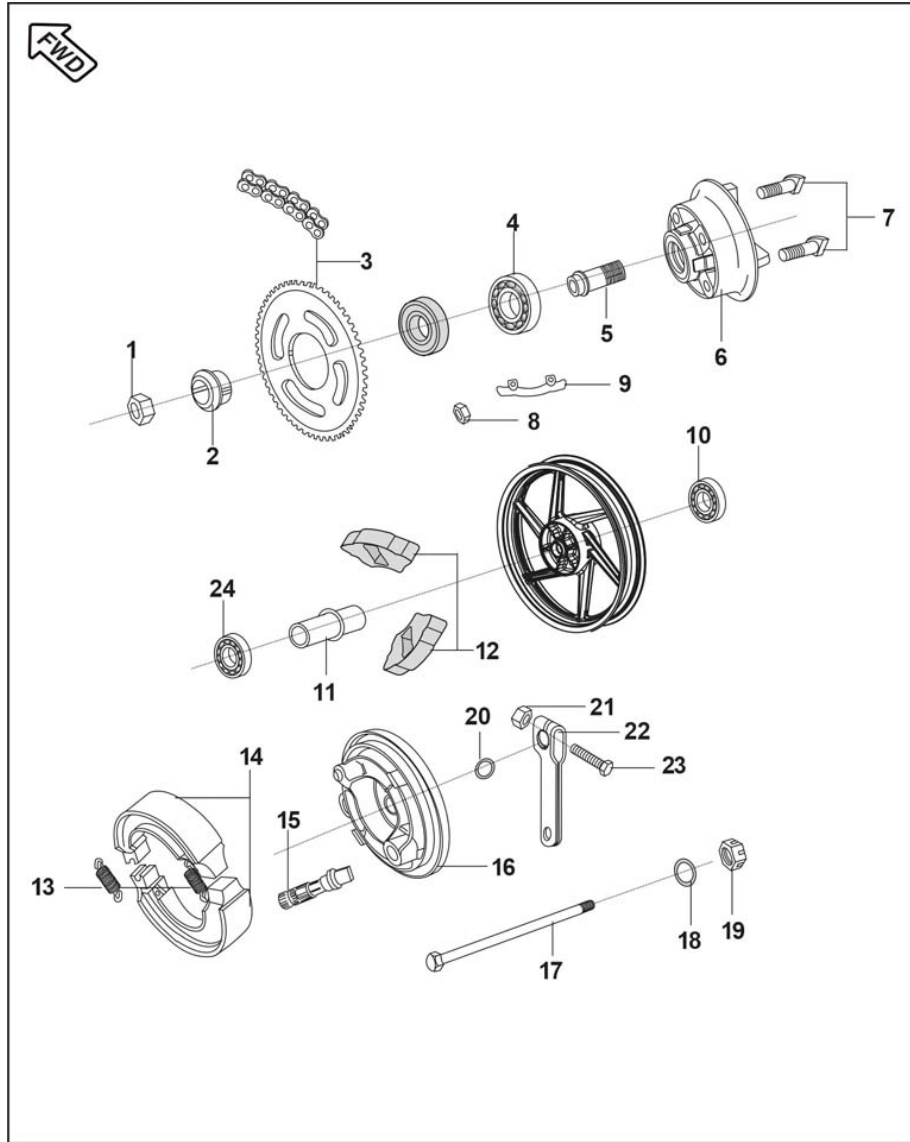
Sr. No.	Part No.	Description	QTY.	Remarks
1	DX151081	DRIVE CHAIN CONNECTING LINK	1	
2	36DU4169	KIT CHAIN SPROCKET	1	
3	30151078	COUPLING	1	
4	39224020	BEARING - BALL	1	
5	30151081	WASHER - LOCK	3	
6	39069415	NUT - HEXAGON LOCK :- M8 X 1.25	6	
7	DP151028	BOLT (SQUARE)-RR WHEEL SPROCKET MOUNTING	6	
8	30151063	DRUM - REAR	1	
9	KPBB6202	BEARING-BALL-C3 CLEARANCE	1	
10	KPBB6302	BEARING-BALL-C3 CLEARANCE	1	
11	30151075	COLLAR - BEARING	1	
12	30151076	DAMPER	1	



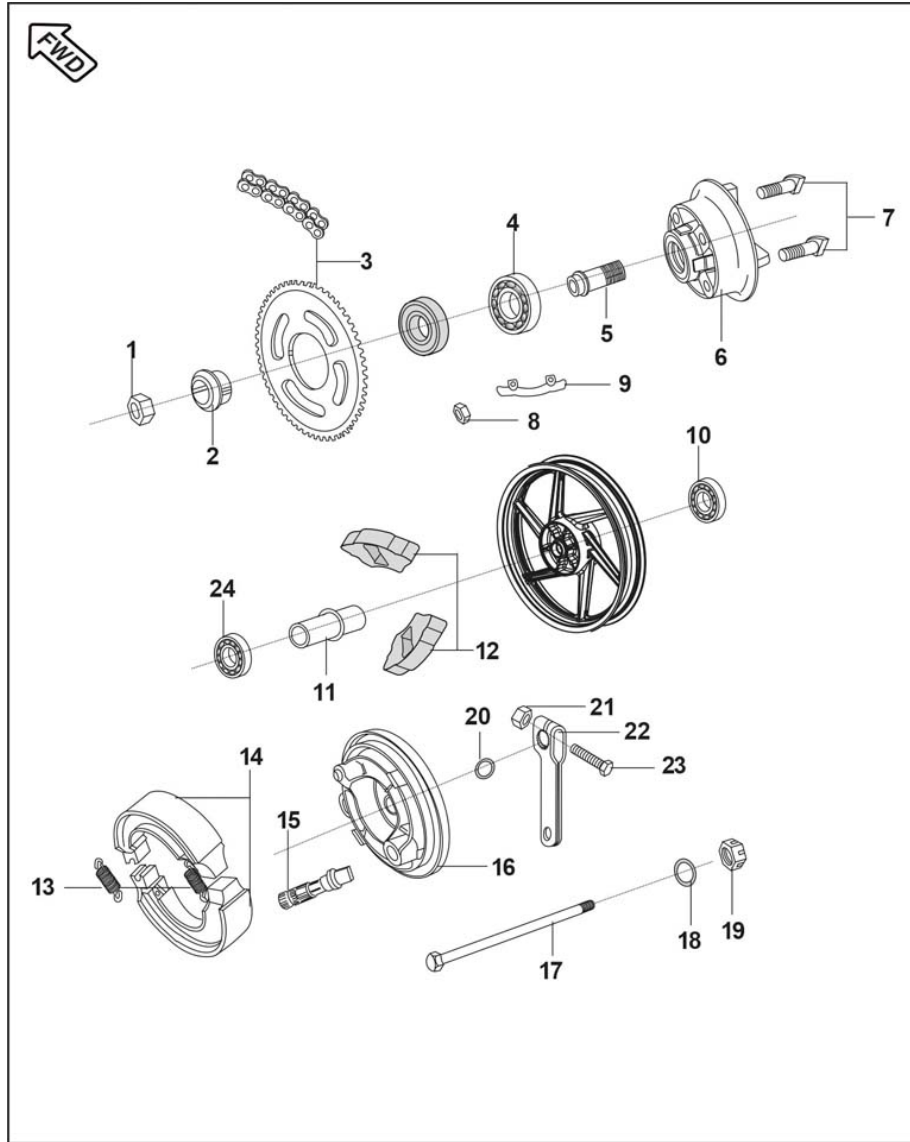
Sr. No.	Part No.	Description	QTY.	Remarks
13	DM151317	ROD TORQUE	1	
14	JN131812	BRAKE SHOE KIT(NON ASBESTOS)	1	
15	30151069	SPRING	2	
16	30151011	CAM ASSEMBLY - BRAKE	1	
17	30151038	RING - O	1	
18	30151005	INDICATOR	1	
19	DD151015	LEVER - BRAKE CAM IN FORGING	1	
20	KCAA1008	NUT MASTER	1	
21	39079815	NUT - HEXAGON WITH FLANGE :- M6	1	
22	DM151032	AXLE :- M14 X 1.5	1	
23	DM171022	SPACER	1	
24	39256611	WASHER - PLAIN	1	



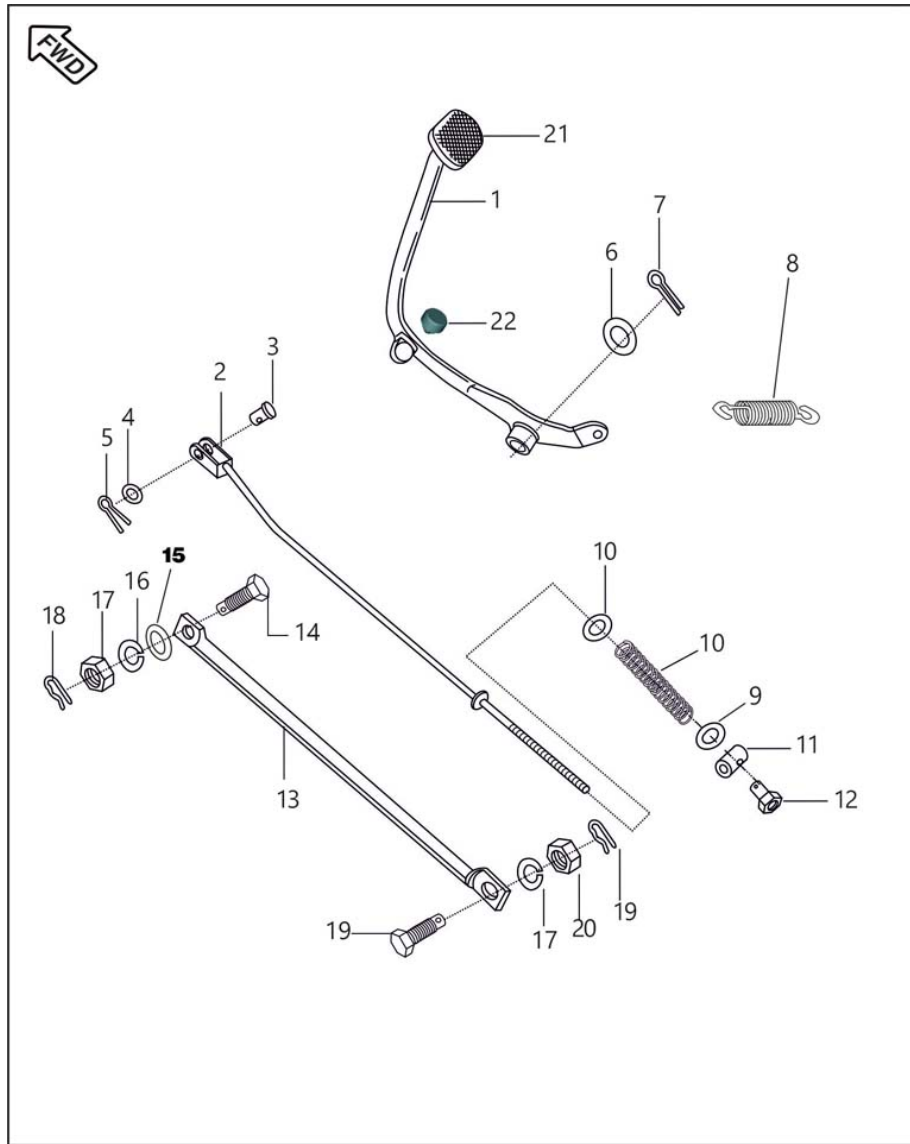
Sr. No.	Part No.	Description	QTY.	Remarks
25	DH171019	NUT - U :- SWING ARM	1	



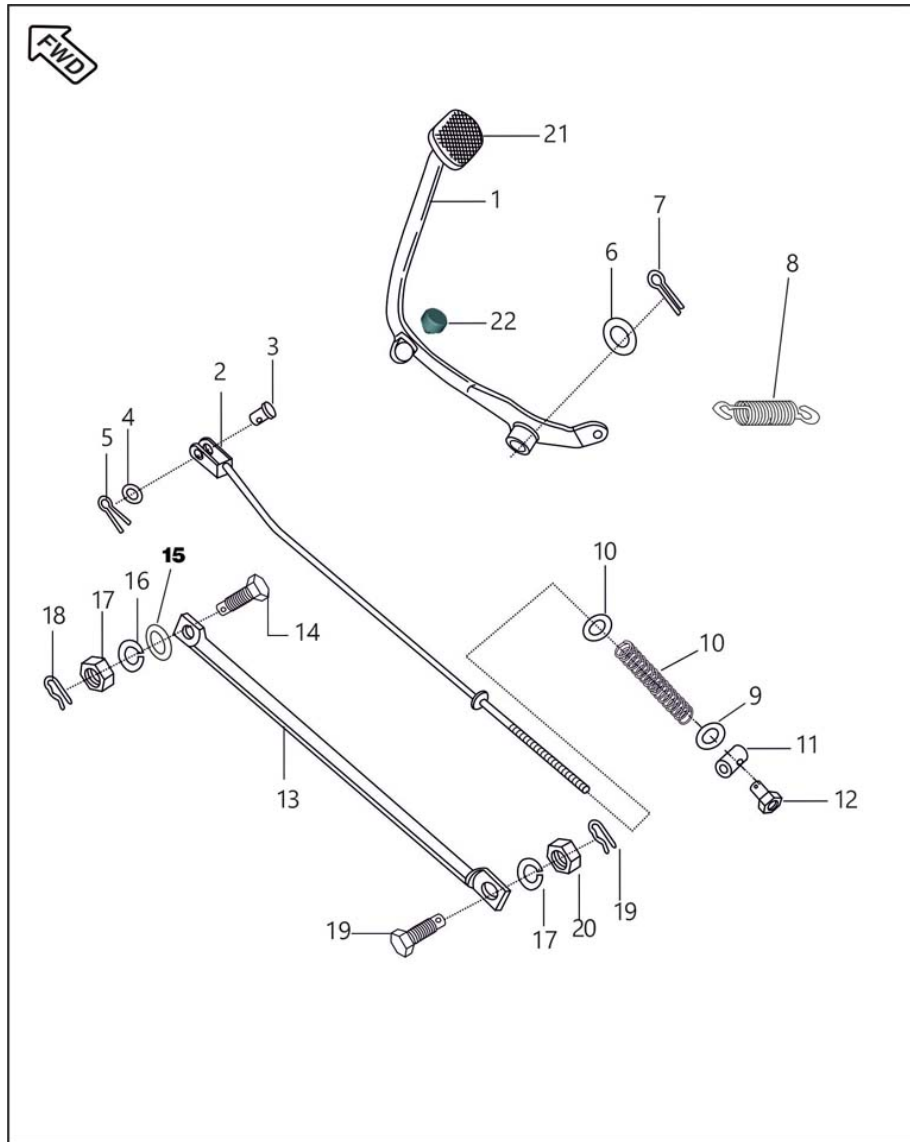
Sr. No.	Part No.	Description	QTY.	Remarks
1	39029215	NUT - HEXAGON :- M6 X 1	1	
2	30151005	INDICATOR	1	
3	36DU4169	KIT CHAIN SPROCKET	1	
4	39224020	BEARING - BALL	1	
5	30151079	SLEEVE	1	
6	DM151324	ASSEMBLY COUPLING 6 LUG	1	
7	DP151028	BOLT (SQUARE)-RR WHEEL SPROCKET MOUNTING	4	
8	39069415	NUT - HEXAGON LOCK :- M8 X 1.25	4	
9	30151081	WASHER - LOCK	2	
10	KPBB6302	BEARING-BALL-C3 CLEARANCE	1	
11	30151075	COLLAR - BEARING	2	
12	30151076	DAMPER	4	



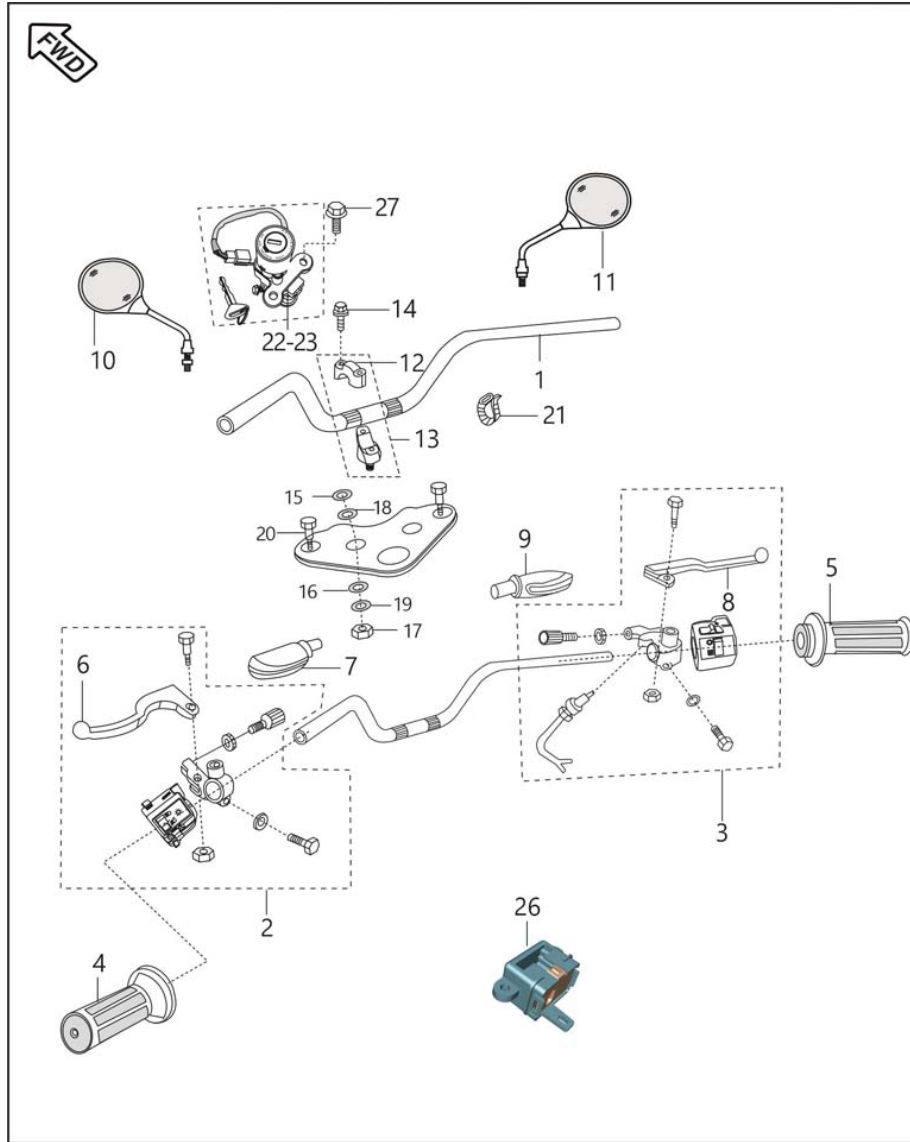
Sr. No.	Part No.	Description	QTY.	Remarks
13	30151069	SPRING	2	
14	30151105	SHOE - BRAKE WITH ASBESTOS	1	
15	30151011	CAM ASSEMBLY - BRAKE	1	
16	DS151069	PANEL BRAKE REAR - 4 RUBBER	1	
17	DM151032	AXLE :- M14 X 1.5	1	
18	39256611	WASHER - PLAIN	1	
19	DH171019	NUT - U :- SWING ARM	1	
20	30151038	RING - O	1	
21	39079815	NUT - HEXAGON WITH FLANGE :- M6	1	
22	DD151015	LEVER - BRAKE CAM IN FORGING	1	
24	KPBB6202	BEARING-BALL-C3 CLEARANCE	1	



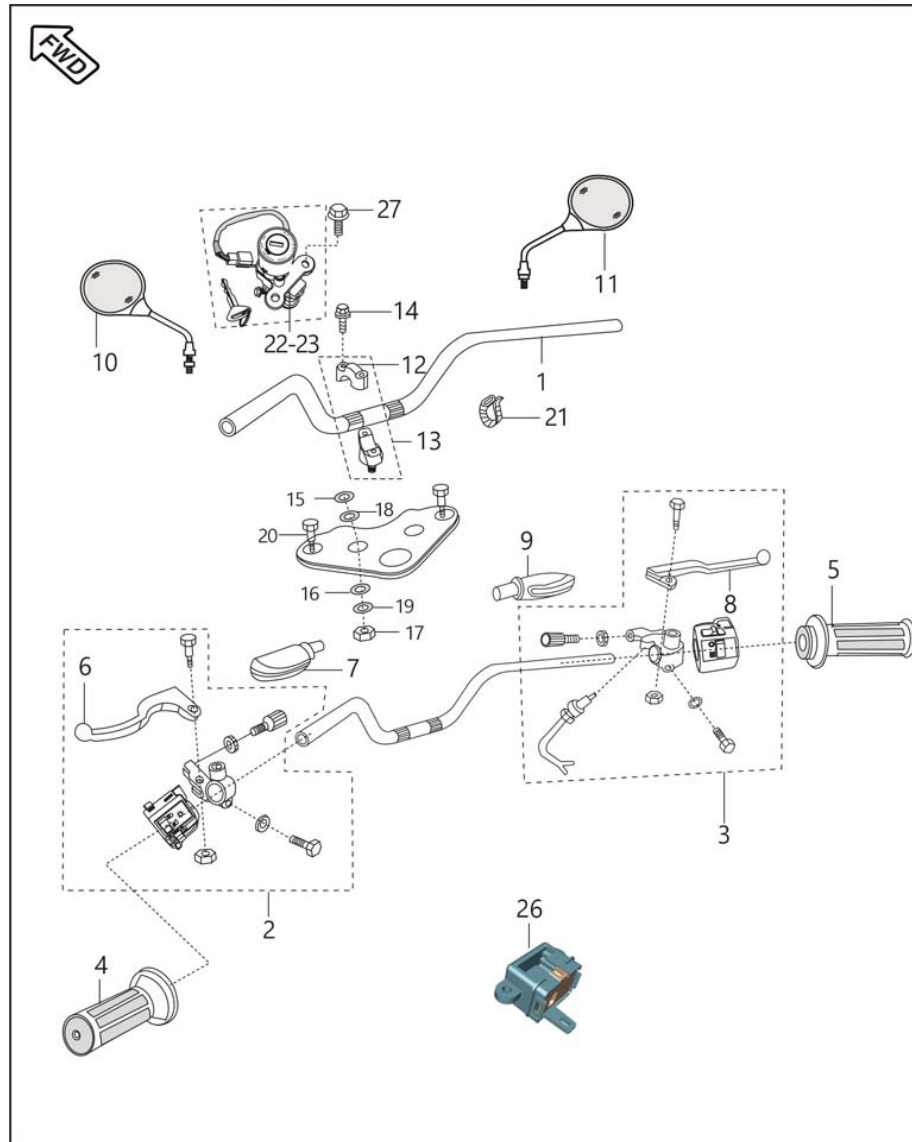
Sr. No.	Part No.	Description	QTY.	Remarks
1	DY161004	ASSEMBLY PEDAL BRAKE	1	
2	DM191010	ROD - BRAKE FOR 130 DRUM,BOXER SWING ARM	1	
3	30191038	PIN	1	
4	39019811	WASHER - PLAIN	2	
5	39080808	PIN - SPLIT	1	
6	39080511	WASHER - PLAIN	1	
7	39079708	PIN - COTTER	1	
8	30191031	SPRING	1	
10	30191035	SPRING	1	
11	30191037	PIN	1	
12	30191036	NUT - BRAKE ADJUSTER	1	
13	DM151317	ROD TORQUE	1	



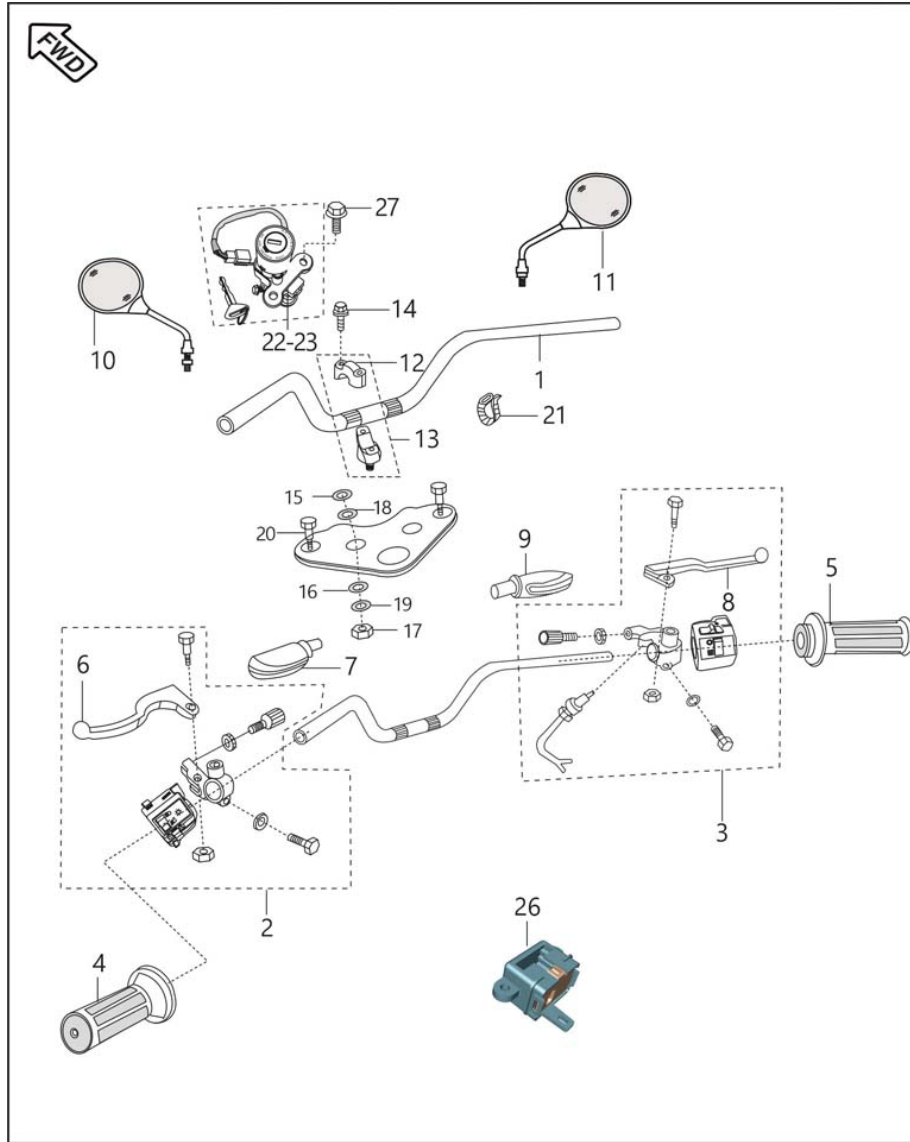
Sr. No.	Part No.	Description	QTY.	Remarks
14	DH151029	BOLT - STEP :- TORQUE ROD	1	
15	39154011	WASHER - PLAIN	1	
16	39078912	WASHER - SPRING	2	
17	39069415	NUT - HEXAGON LOCK :- M8 X 1.25	1	
18	39080708	PIN - SNAP	2	
19	30151095	BOLT - HEXAGON	1	
20	39070815	NUT - HEXAGON :- M10 X 1.25	1	
21	JA161003	PAD BRAKE LEVER	1	
22	DD161078	DAMPER	1	



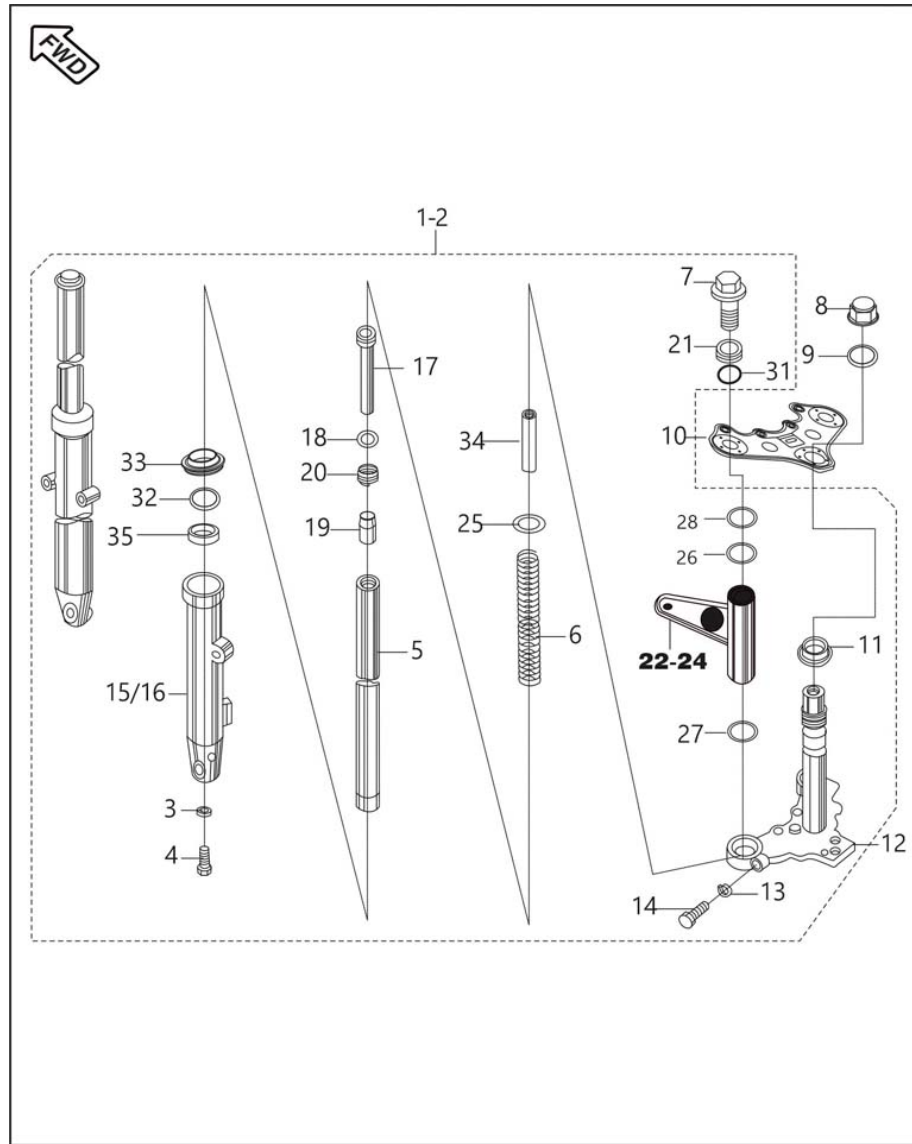
Sr. No.	Part No.	Description	QTY.	Remarks
1	DU181114	HANDLEBAR	1	
2	JB401400	SWITCH CONTROL LH	1	
3	PF401417	SWITCH CONTROL RH	1	
4	PF161005	HAND GRIP LH	1	
5	PF161007	GRIP ASSY RH	1	
6	PF161015	LEVER CLUTCH	1	
7	DS191052	LEVER BOOT LH FOR CLUTCH SWITCH	1	
8	DD191142	LEVER - GRIP :- RIGHT	1	
9	DS191018	BOOT FOR LEVER RH	1	
10	DJ221003	MIRROR ASSEMBLY - LH FOR `K-UPGRADE`	1	
11	DJ221004	MIRROR ASSEMBLY - RH FOR `K-UPGRADE`	1	
12	FD181030	HOLDER - HANDLE :- UPPER	2	



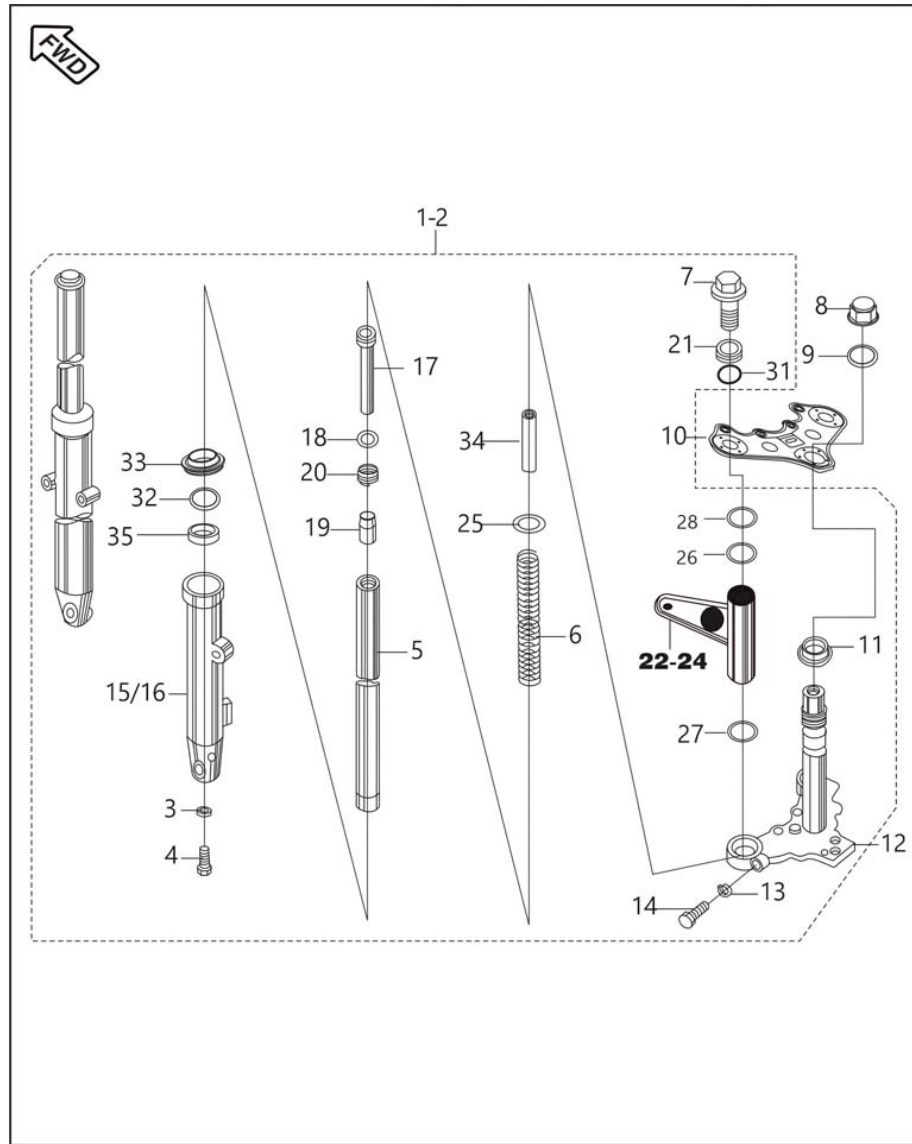
Sr. No.	Part No.	Description	QTY.	Remarks
13	FD181031	HOLDER ASSEMBLY - HANDLE :- LOWER	2	
14	39107404	BOLT - FLANGED :- SMALL	4	
15	DF181091	DAMPER - HANDLE HOLDER :- UPPER	2	
16	DF181092	DAMPER - HANDLE HOLDER :- LOWER	2	
17	39224915	NUT - NYLOC :- M10	2	
18	FD181019	WASHER - PLAIN	1	
19	FD181020	WASHER - PLAIN	1	
20	59040006	BOLT WITH WASHER M10X24L	2	
21	JD402217	BAND(L 150)	2	
22	PF232603	LOCK KIT	1	
22	DM181062	SET LOCK	1	Added Ref.Cir.IB-457
23	DY232600	SET LOCK	1	Ref.Cir.IB-406



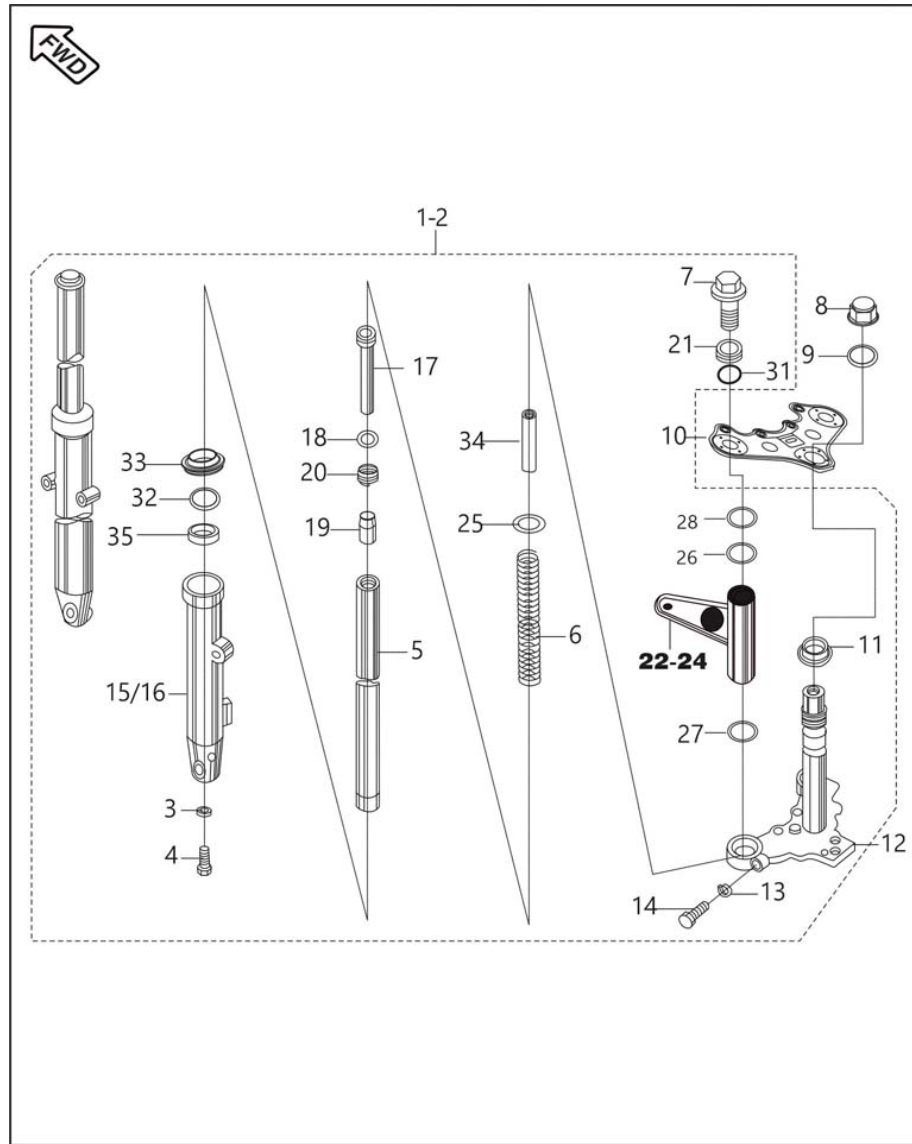
Sr. No.	Part No.	Description	QTY.	Remarks
24	JZ161028	LEVER PIVOT BOLT	1	N.I.
25	DX191009	LEVER ASSEMBLY RH	1	N.I.
26	JZ401403	SWITCH CLUTCH (VB) DIODE	1	
27	39194304	BOLT - FLANGED	2	



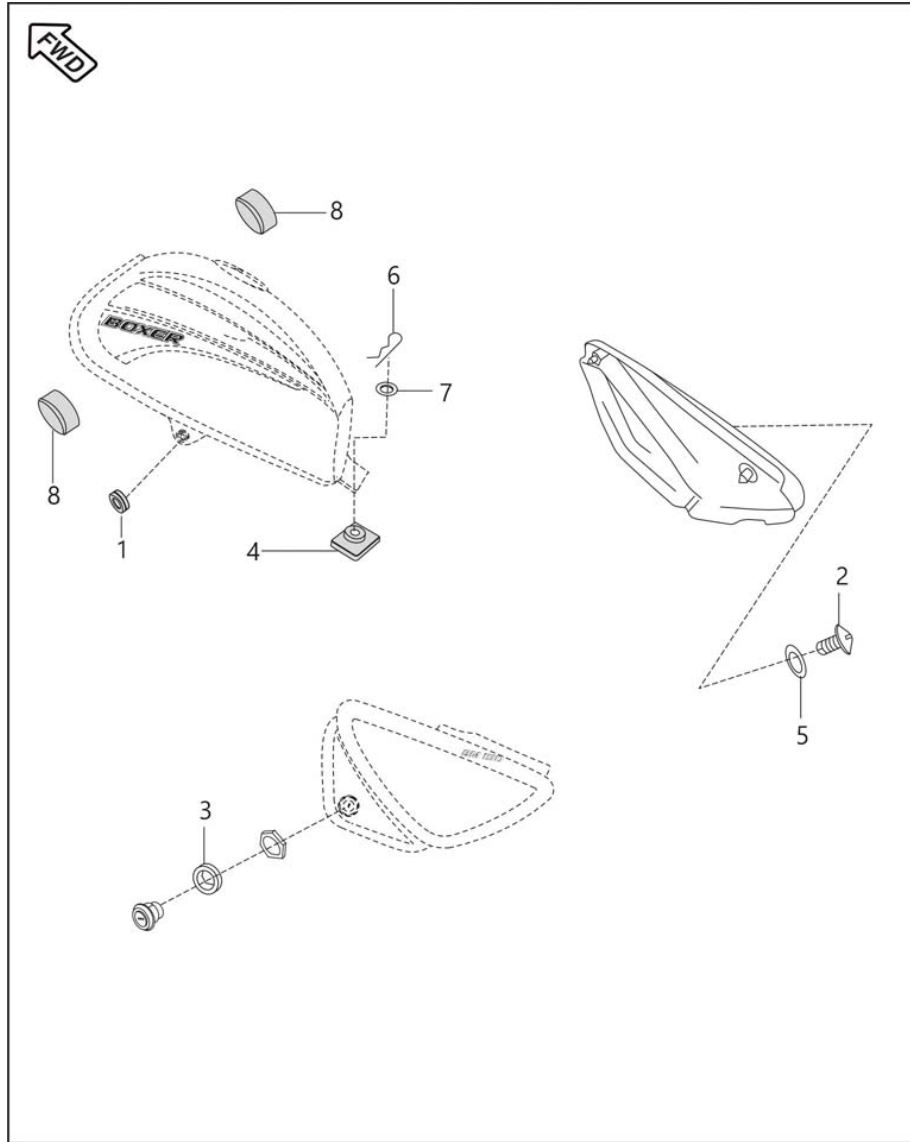
Sr. No.	Part No.	Description	QTY.	Remarks
1	DU181067	FORK-FR: 110 DRUM, 125 STROKE, W/O CVR-FORK	1	
1	DM181054	FORK FRONT	1	Ref.Cir.IB-406
3	30181026	GASKET	2	
4	KACF0830	BOLT SOCKET M8X1.25	2	
5	DM181036	PIPE COMPLETE - SUSPENSION :- INNER	2	
6	DE181031	SPRING - FRONT FORK FROM ESIPL	2	
7	31181120	BOLT - ENDURANCE SYSTEM (I) PVT. LTD.	2	
8	FD181012	NUT - CAP :- SPECIAL	1	
9	DF181089	WASHER - PLAIN	1	
10	DD181205	HOLDER -FORK:UPER IN SHM+ST.CUM IGN.LOCK	1	
11	30181009	BEARING CONE	1	
12	DD181207	BRACKET ASSEMBLY UNDER	1	



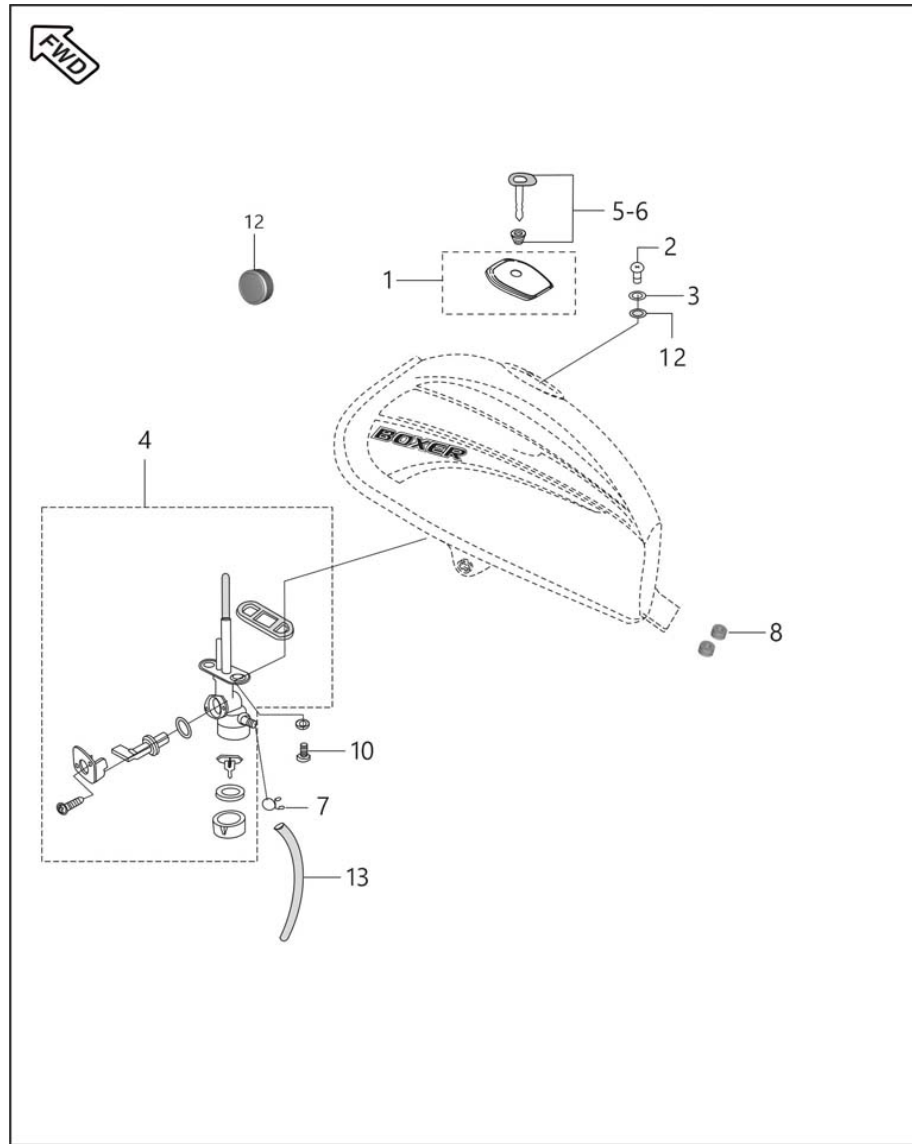
Sr. No.	Part No.	Description	QTY.	Remarks
13	39078912	WASHER - SPRING	2	
14	39181304	BOLT -HEX. : M10X1.25 - ENDURANCE SYSTEM	2	
15	DU181101	TUBE OUTER LH	1	
16	DU181102	TUBE OUTER RH	1	
17	PA121041	SEAT PIPE	1	
18	30181020	RING - FORK PISTON	1	
19	31181019	CAP OIL LOCK	1	
20	31181099	SPRING - FRONT FORK :- ENDURANCE SYSTEM	1	
21	DF181085	SEAT -FORK SPRING:FR FORK+SHM UPPER BKT.	2	
22	DM181039	COVER : COVER FORK RH	1	
23	DM181055	COVER FORK RH	1	Ref.Cir.IB-406
24	DM181038	COVER : COVER FORK LH	2	



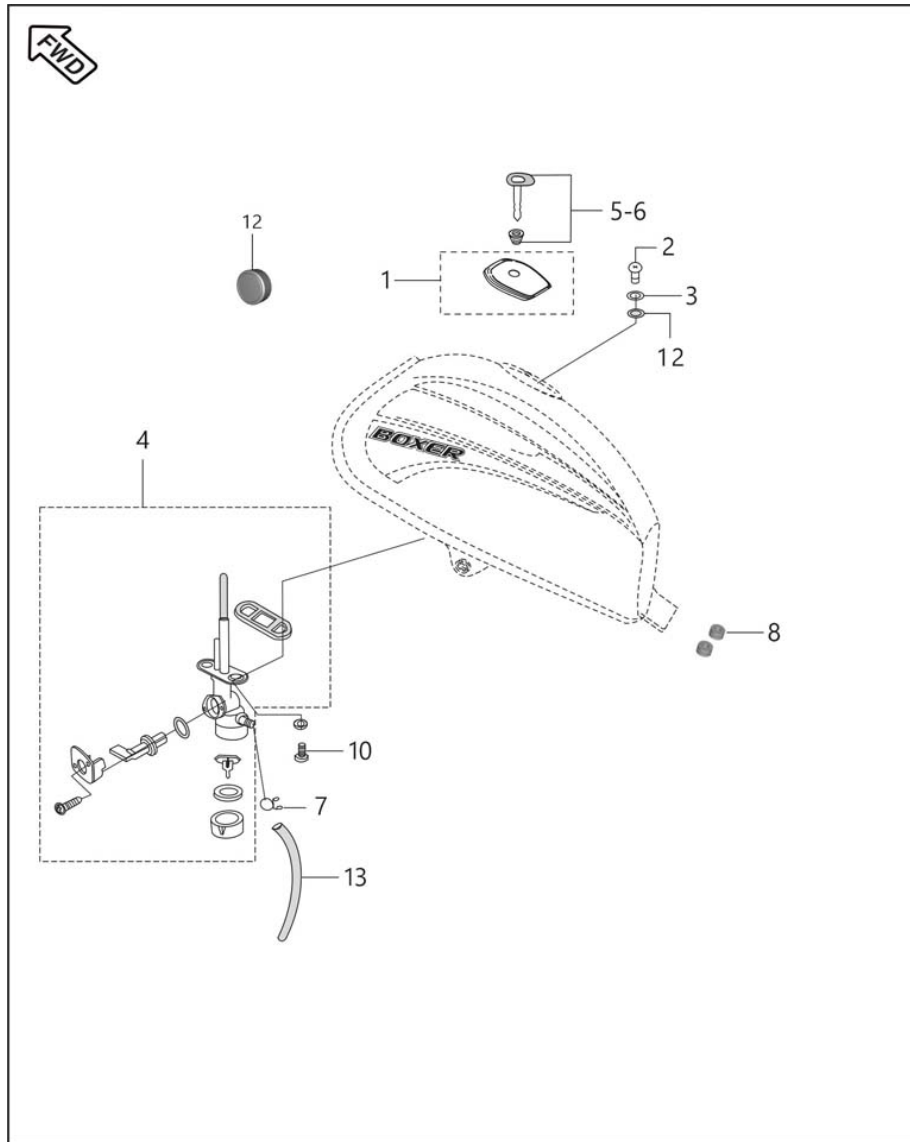
Sr. No.	Part No.	Description	QTY.	Remarks
25	DM181010	WASHER - FORK SPRING	2	
26	DD181090	COVER - TRAIL :-B	1	
27	DD181091	COVER - TRAIL	1	
28	DF181088	DAMPER -FORK COVR FOR FR.FORK+SMH UP BKT	1	
29	DU181099	LEG ASSEMBLY LH	1	N.I.
30	DU181100	LEG ASSEMBLY RH	1	N.I.
31	30181029	RING - O	2	
32	31181108	RING -SNAP:ENDURANCE SYSTEM (I) PVT.LTD.	2	
33	DD181032	SEAL - DUST FROM M/S ENDURANCE SYSTEMS	2	
34	JK121008	SPACER TUBE	2	
35	DU181108	OIL SEAL - DIA 30 SFN	2	



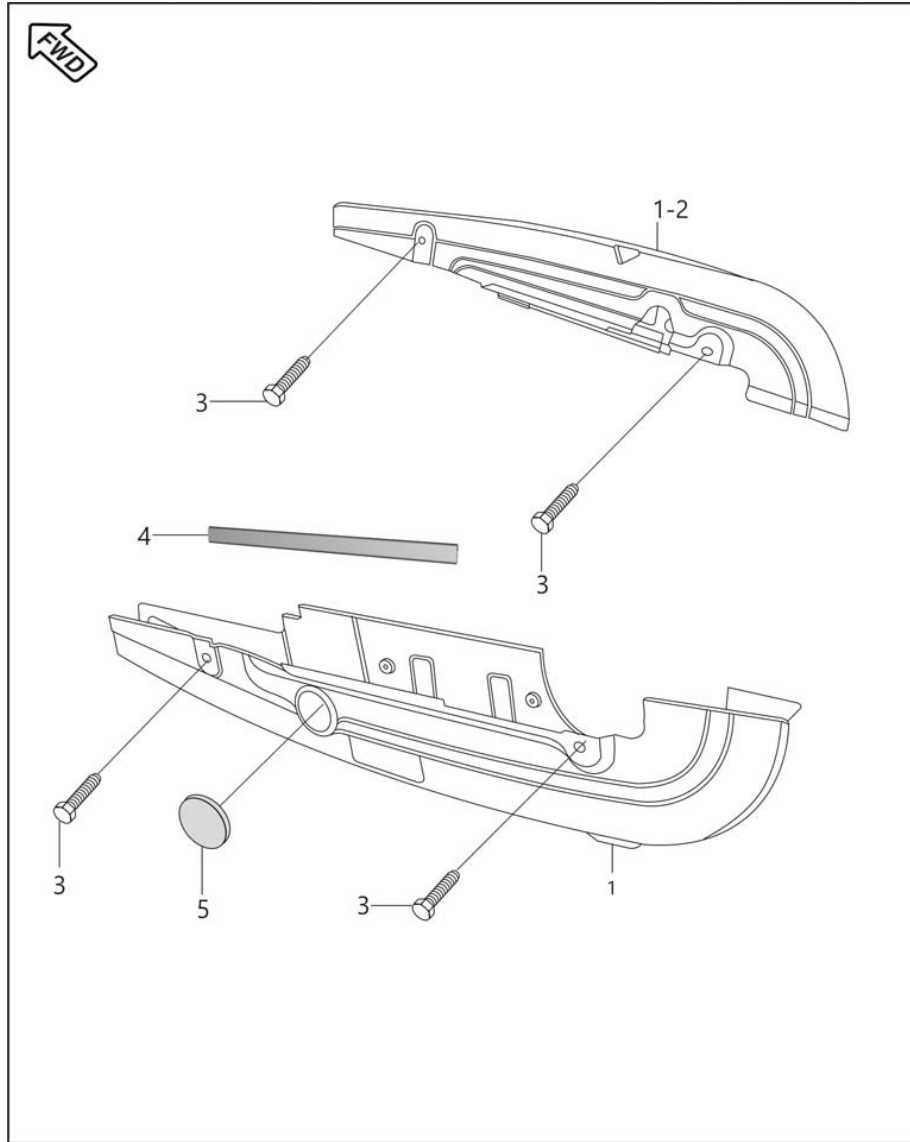
Sr. No.	Part No.	Description	QTY.	Remarks
1	DH161158	GROMMET - SIDE COVER	2	
2	DG161121	SCREW	1	
3	DU161102	DAMPER	1	
4	DG141019	DAMPER	2	
5	39178924	WASHER - NYLON	3	
6	39190204	BOLT - FLANGED :- M6	1	
7	DP201037	COLLAR	1	
8	DF141128	DAMPER (FUEL TANK MOUNTNG) IN PVC RUBBER	2	



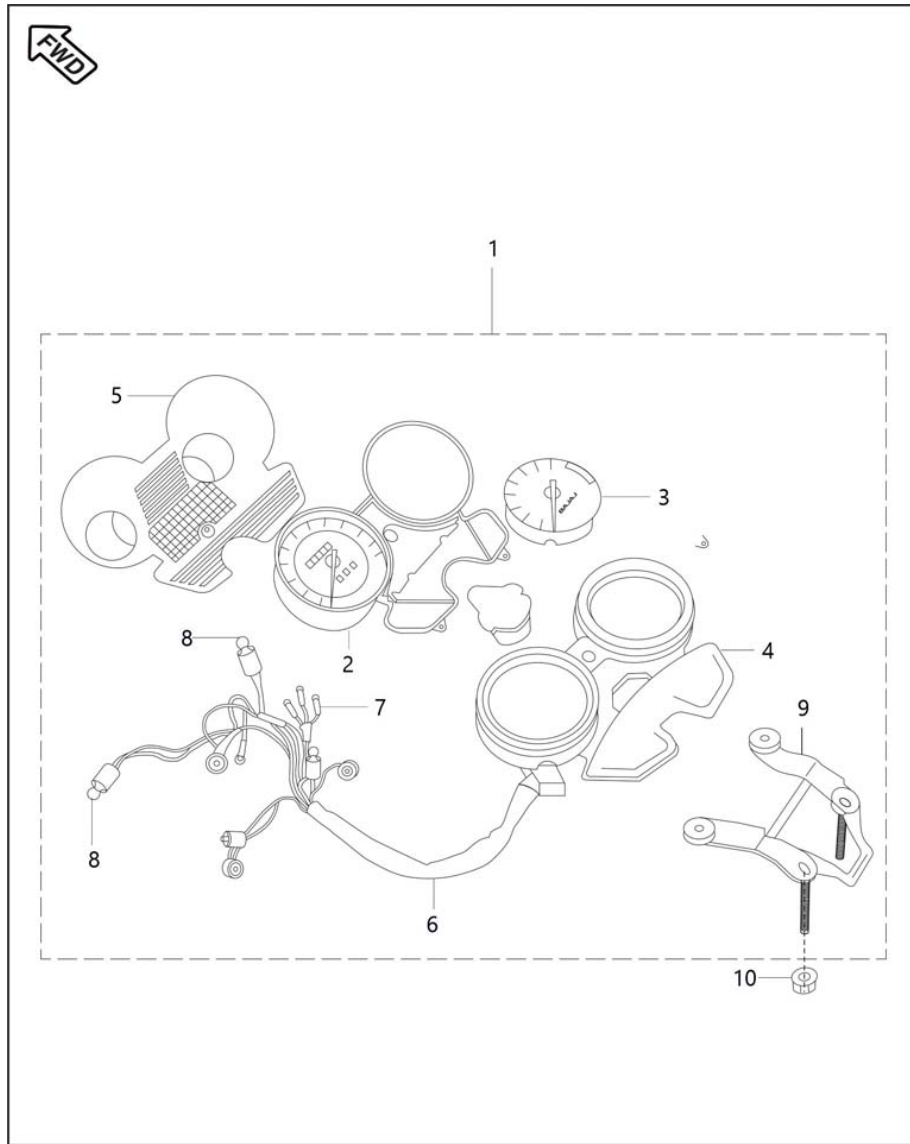
Sr. No.	Part No.	Description	QTY.	Remarks
1	DF141120	CAP ASSEMBLY - TANK WITH PLASTIC HUB	1	
2	AP101255	SCREW PAN M5X10(PRE-COATED)	2	
3	39217924	WASHER 5.1X10X1.0	2	
4	DU141095	ASSEMBLY FUEL COCK (CT100 - ECONOMICAL)	1	
5	PF232603	LOCK KIT	1	
5	DM181062	SET LOCK	1	Added Ref.Cir.IB-457
6	DY232600	SET LOCK	1	Ref.Cir.IB-406
7	33141008	CLAMP :P.COK OUT+F.FLTR IN,OUT+CARBU. IN	2	
8	DG141019	DAMPER	2	
9	DL161017	DAMPER FOR SIDE COVER	2	N.I.
10	DD141227	BOLT - FLANGED HEAD+PHILIPS HEAD SOCKET	2	
11	DF141128	DAMPER (FUEL TANK MOUNTNG) IN PVC RUBBER	1	



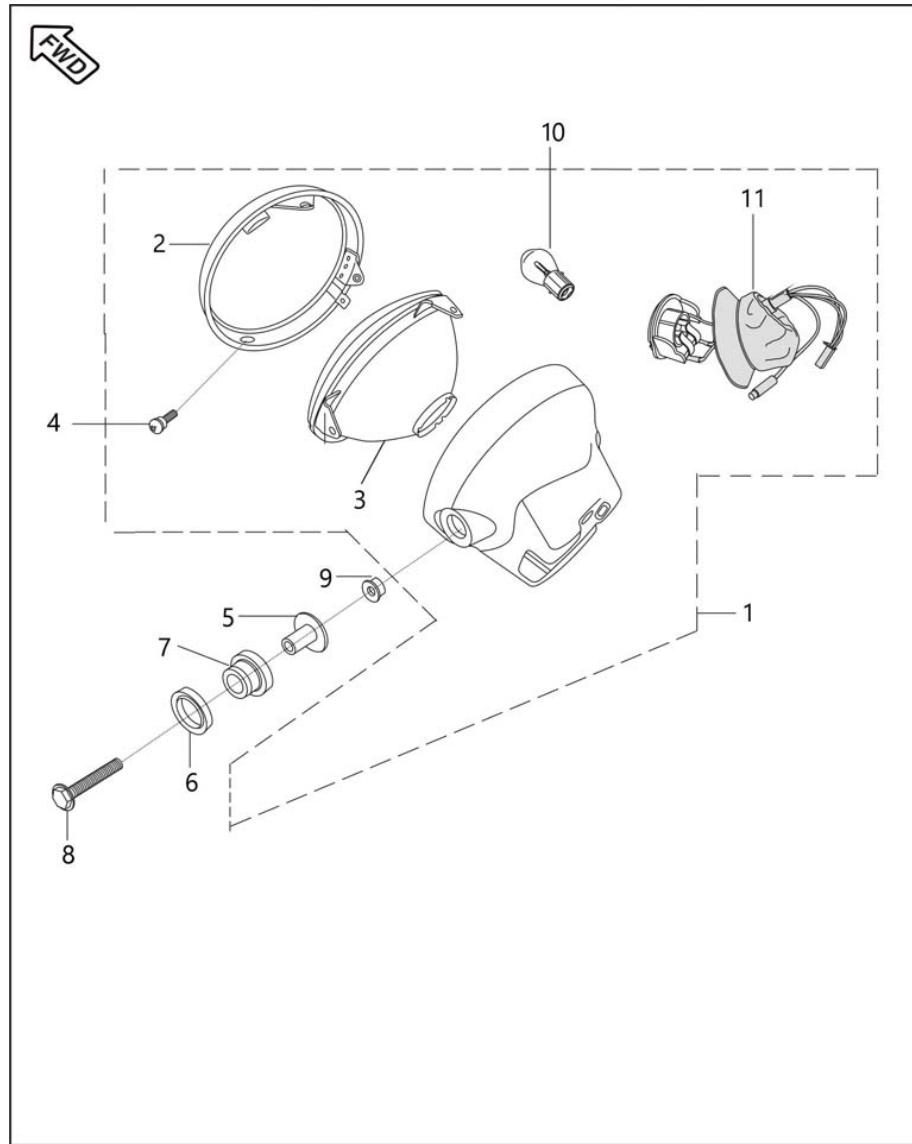
Sr. No.	Part No.	Description	QTY.	Remarks
12	30141031	RING - O	2	
13	PF171803	PIPE FUEL- E10 (L185)	1	Cock to Carburettor



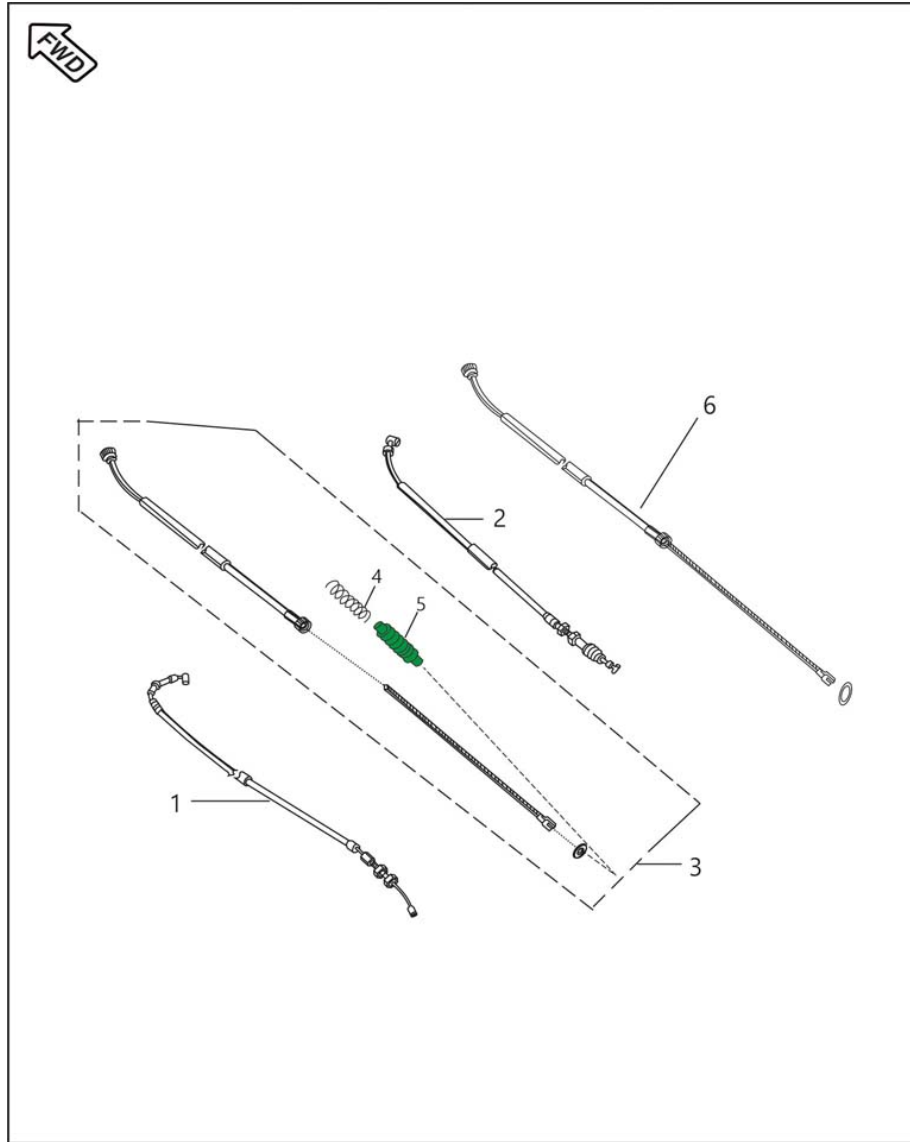
Sr. No.	Part No.	Description	QTY.	Remarks
1	52DY0133	CHAINCASE U/L WITH PACKING CT 125 CKD	1	
2	52DY0133	CHAINCASE U/L WITH PACKING CT 125 CKD	1	Ref.Cir.IB-406
3	DH161283	BOLT CHAIN CASE	4	
4	DF161415	TRIM FOR CASE CHAIN	1	
5	DF161416	CAP - CASE CHAIN	1	
6	DH161073	INSTRUCTION LABEL	1	N.I.



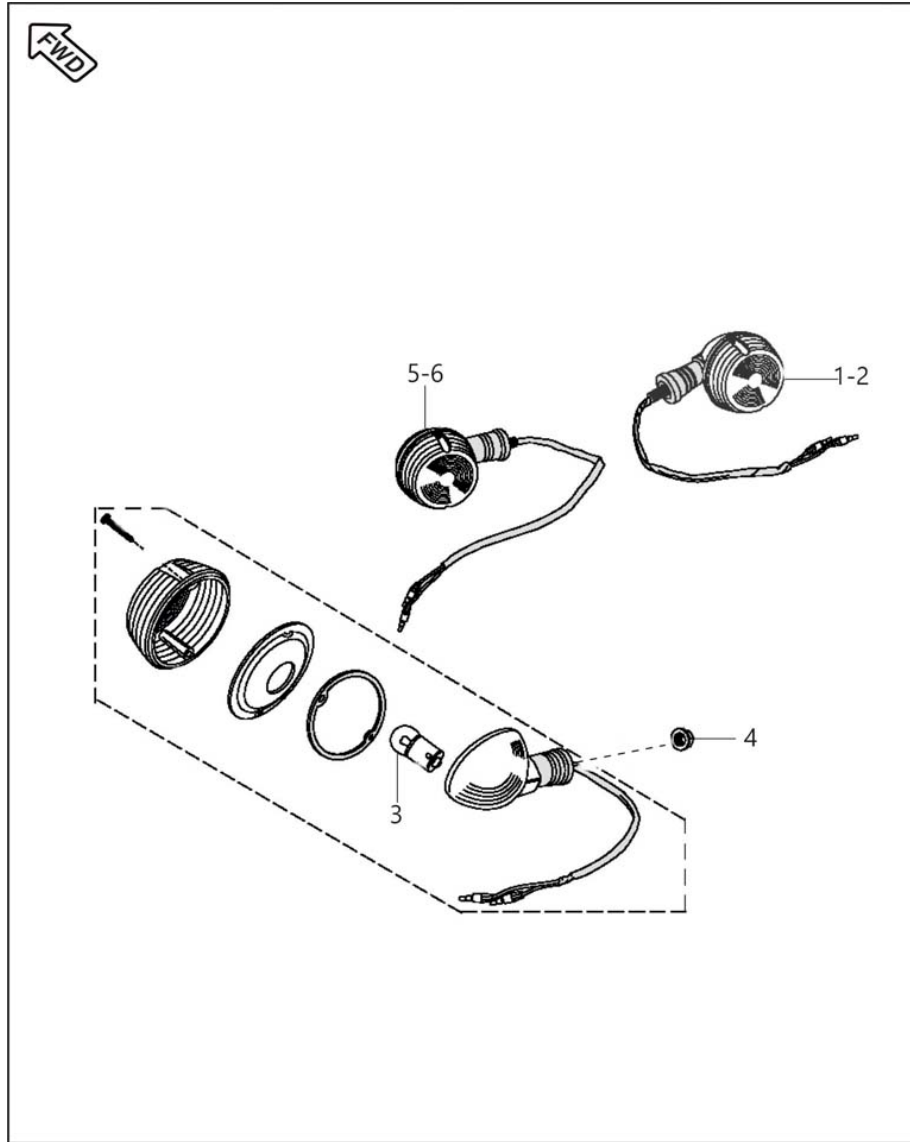
Sr. No.	Part No.	Description	QTY.	Remarks
1	DM191009	SPEEDOMETER ASY+LMP W/O F.GAUG-CT100 TYP	1	



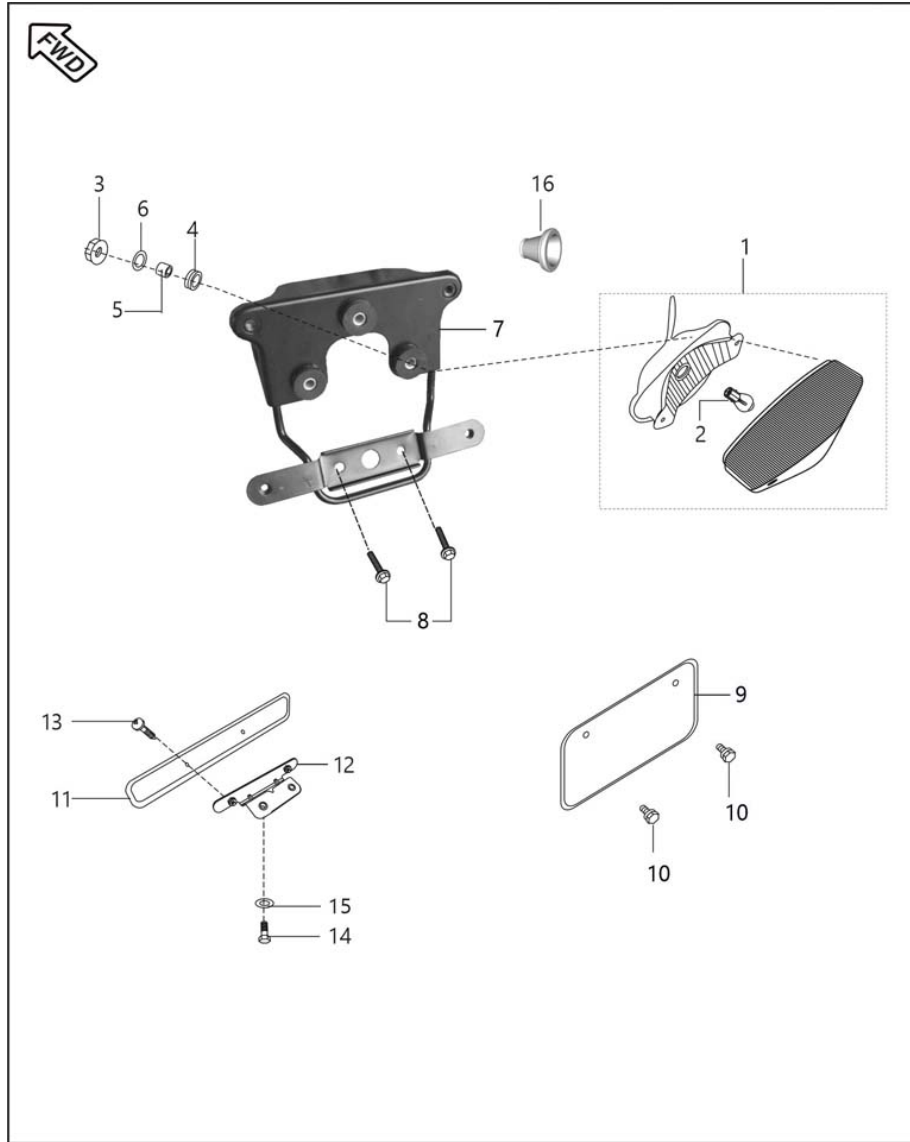
Sr. No.	Part No.	Description	QTY.	Remarks
1	DM201022	LAMP (LIGHT) ASSEMBLY - HEAD WITH LAMP	1	
2	DJ201046	RIM - HEAD LIGHT :- CLEAR	1	
3	30201069	REFLECTOR - REFLEX	1	
4	DU201029	SCREW - SPECIAL	2	
5	DU201060	COLLAR - HEAD LIGHT	2	
6	DD201009	DAMPER	2	
7	DD201010	DAMPER	2	
8	39168304	BOLT - FLANGE	2	
9	39197015	NUT - HEXAGON WITH FLANGE :- M8	2	
10	25201009	LAMP :- 12V - 35 / 35W	1	
11	DF201058	HOLDER ASY LAMP BOXER UG AT&CT SPARE	1	



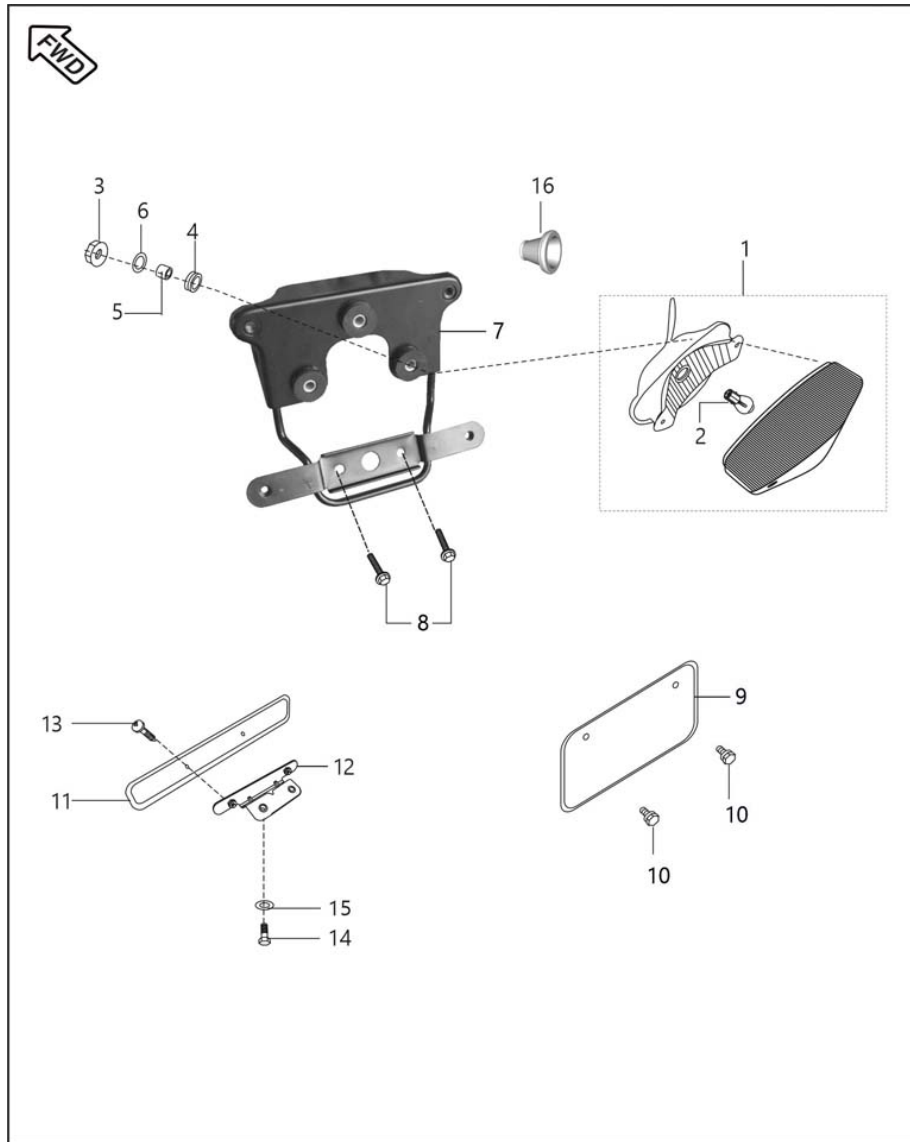
Sr. No.	Part No.	Description	QTY.	Remarks
1	DU191058	CABLE THROTTLE	1	
2	DY161201	CABLE CLUTCH	1	
3	DU191062	CABLE BRAKE	1	
4	30191070	SPRING	1	
5	30191069	SEAL - DUST	1	
6	DZ191014	CABLE - SPEEDOMETER WITHOUT BENT TUBE	1	



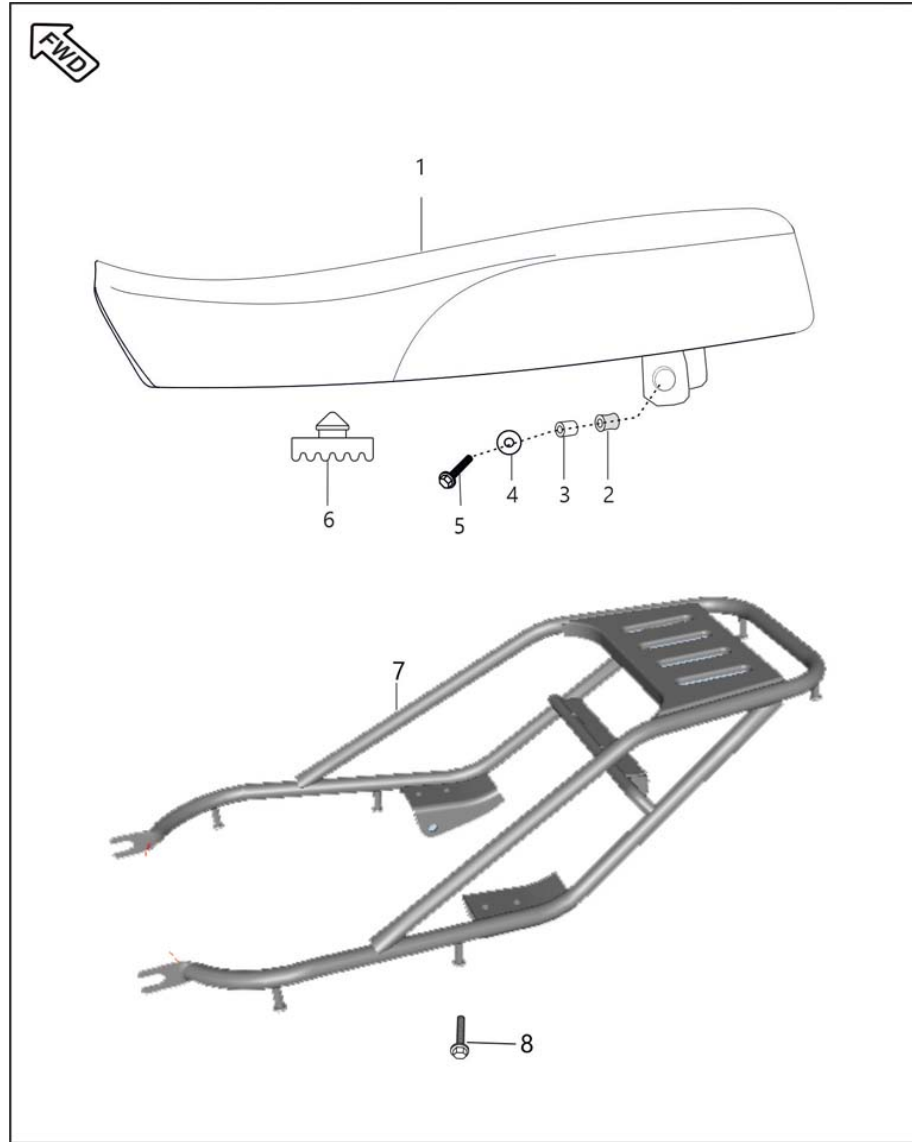
Sr. No.	Part No.	Description	QTY.	Remarks
1	DM201027	INDICATOR ASSEMBLY FRONT LH WITH LAMP	2	
2	DM201028	INDICATOR ASSEMBLY FRONT RH WITH LAMP	2	
3	18201044	LAMP :- 12V - 10W - R 10W	4	
4	39122515	NUT - HEXAGON WITH FLANGE :- M10	4	
5	DM201029	INDICATOR ASSEMBLY REAR LH WITH LAMP	2	
6	DM201030	INDICATOR ASSEMBLY REAR RH WITH LAMP	2	



Sr. No.	Part No.	Description	QTY.	Remarks
1	PF401005	TAIL LIGHT ASSY	1	
2	20201029	LAMP :- 12V - 21/5W, P 21/5W	1	
3	39243015	NUT - HEXAGON WITH FLANGE :- M6	2	
4	DD201011	DAMPER	2	
5	31201001	COLLAR	2	
6	39242911	WASHER - PLAIN	2	
7	DF161248	BRACKET FOR REAR NUMBER PLATE	1	
8	39247604	BOLT - HEXAGON HEAD WITH FLANGE :- M6	2	
9	DF161252	PLATE - NUMBER :- REAR IN BLACK	1	
10	39247504	BOLT - HEXAGON HEAD WITH FLANGE :- M6	2	
11	DF161251	PLATE - NUMBER :- FRONT IN BLACK	1	
12	DF181097	BRACKET PLATE NUMBER FRONT	1	

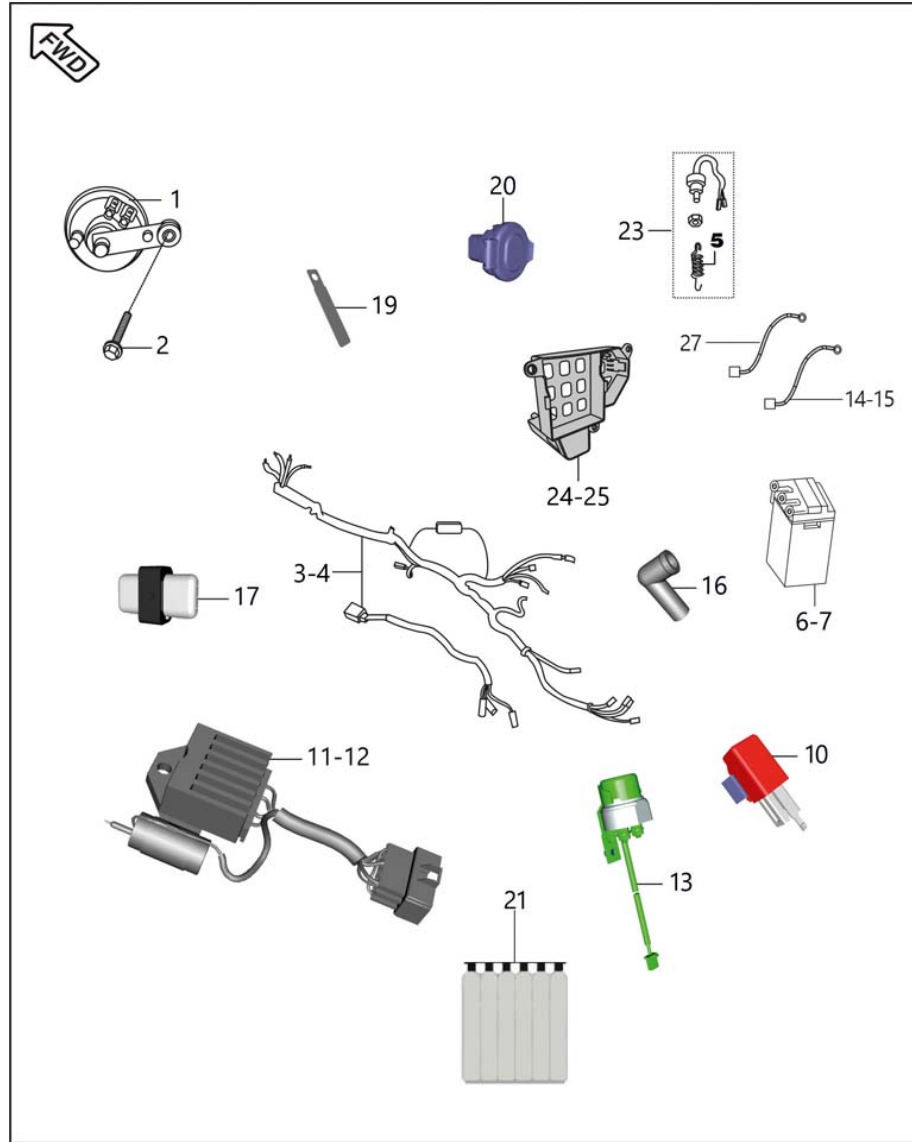


Sr. No.	Part No.	Description	QTY.	Remarks
13	39178301	SCREW - TRUSS :- M5 X 0.8 X 10	2	
14	39155304	BOLT - FLANGE :- M6	2	
15	39121111	WASHER - PLAIN	2	
16	PF402210	BOOT	1	



Sr. No.	Part No.	Description	QTY.	Remarks
1	DM211021	SEAT ASY.COMP.-REAR HOOK,FR. END BOLTING	1	
1	DM211026	SEAT ASSEMBLY	1	Added Ref.Cir.IB-473
2	FD211006	GROMMET - SEAT	2	
3	FD211007	SPACER - SEAT	2	
4	39121111	WASHER - PLAIN	2	
5	39195004	BOLT - FLANGED :- SMALL	2	
6	31211004	DAMPER	7	
7	DM221020	GRIP FRAME	1	
7	52DM0794	GRIP FRAME WITH PACKING S/A BOXER-S CKD	1	Added Ref.Cir.IB-473
8	39155604	BOLT - FLANGE	2	

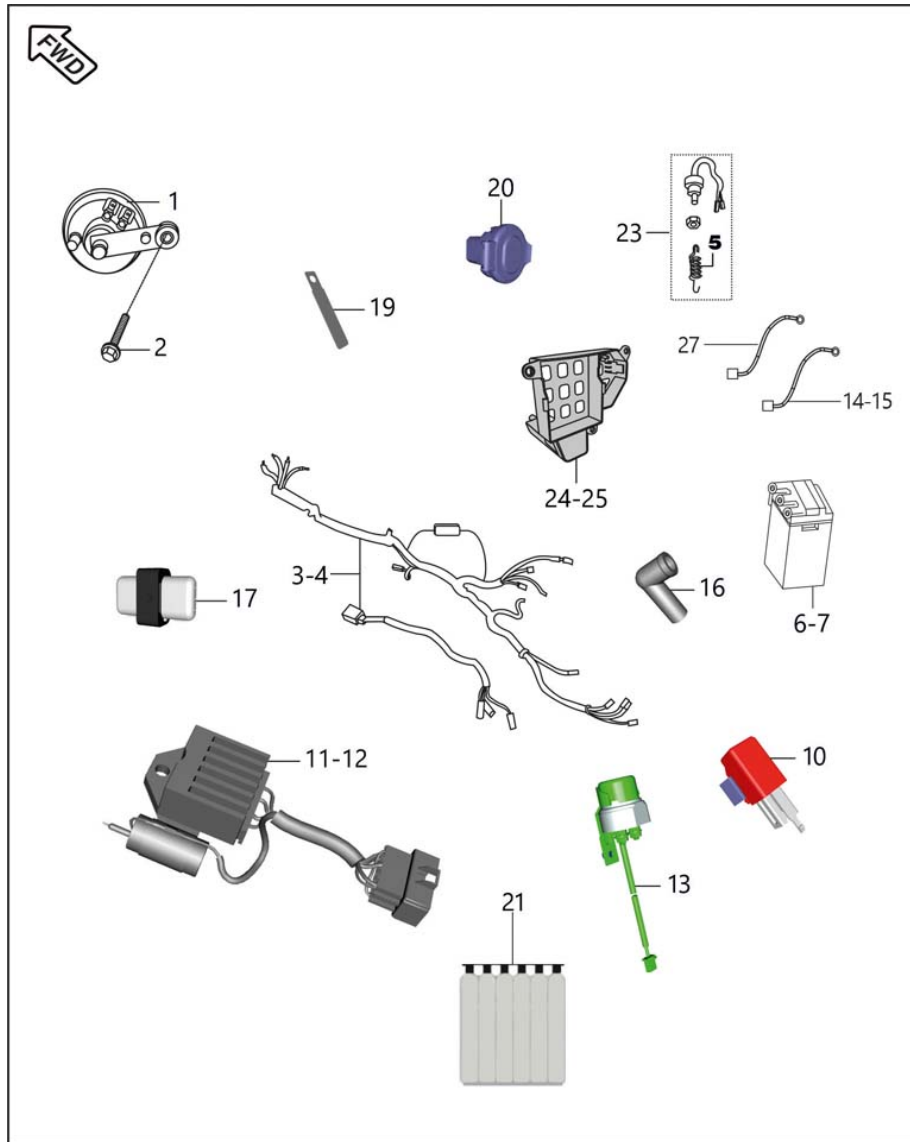




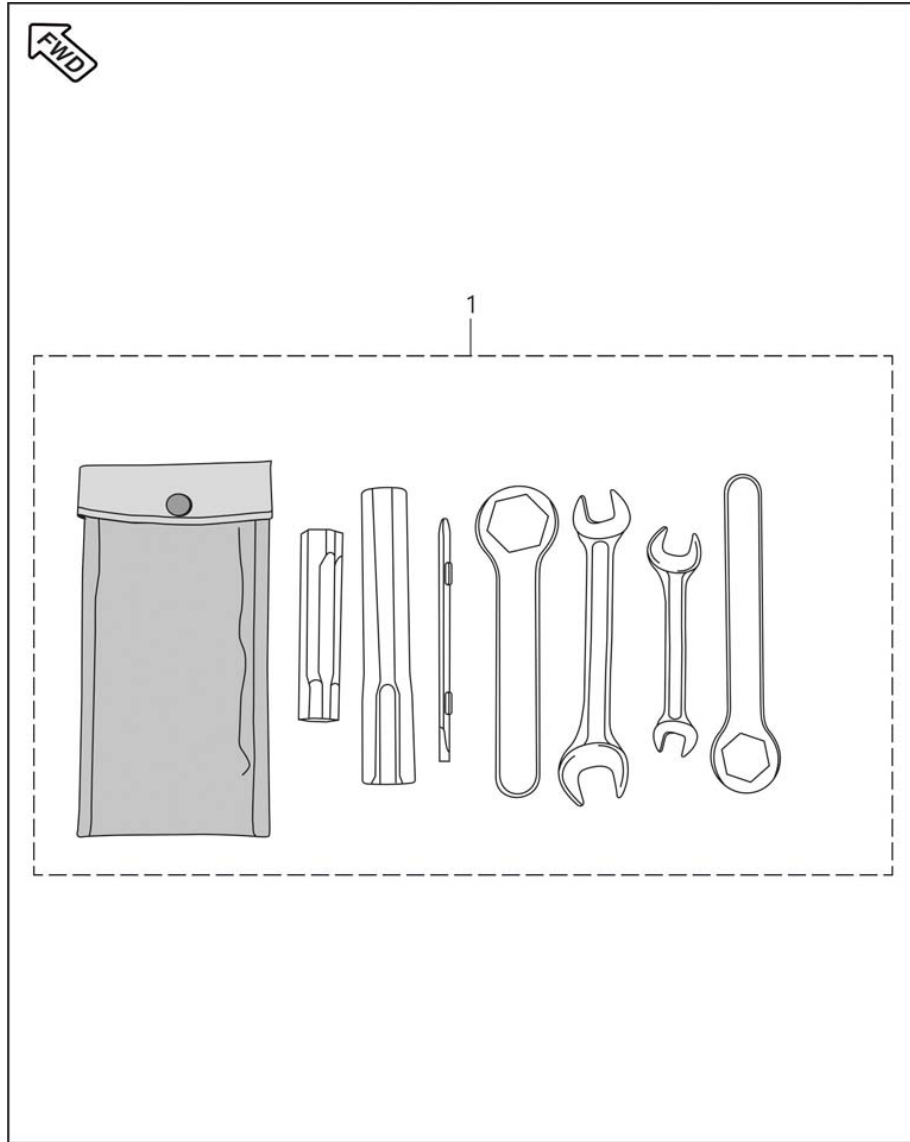
Sr. No.	Part No.	Description	QTY.	Remarks
13	DK201078	STARTER RELAY- WITH NUT	1	
14	DY402202	CABLE EARTH	1	
15	PF402239	CABLE ASSY BATTERY TO EARTH	1	Ref.Cir.IB-428
16	JZ402216	CAP (STARTER MOTOR)	1	
17	DJ201219	ASSY. FUSE BOX	1	
18	JZ402218	CABLE TIE (WHITE COLOR L200)	1	N.I
19	31201021	CLAMP	1	
20	PF403400	SOCKET CHARGER	1	Ref.Cir.IB-406
21	PF401813	BOTTLE ACID 3AH	1	
22	JG401807	BOTTLE ACID 6AH	1	Ref.Cir.IB-428
23	31201079	SWITCH - REAR BRAKE	1	
24	DY401800	CLAMP BATTERY	1	

## Boxer BM 100 ES

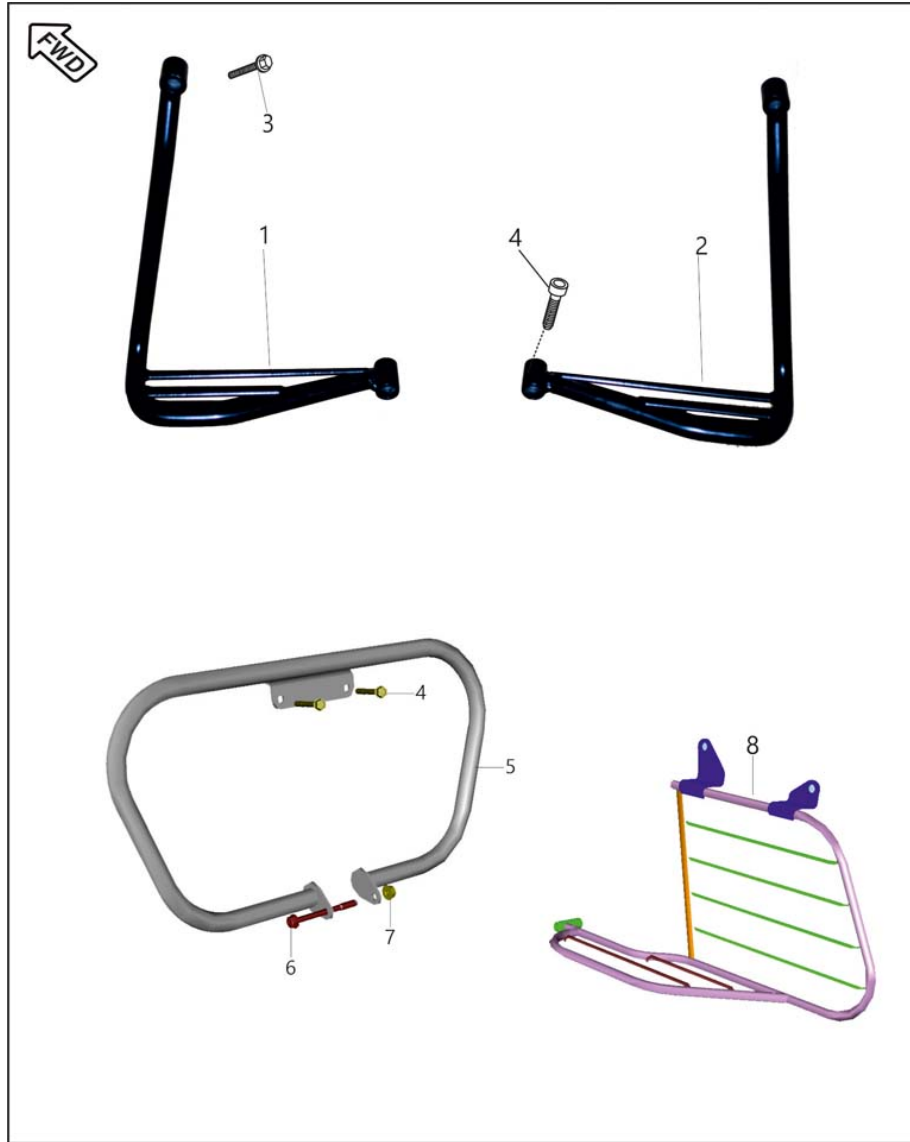
## 44. Electrical Equipments



Sr. No.	Part No.	Description	QTY.	Remarks
25	DY113803	CLAMP ASSEMBLY BATTERY	1	Ref.Cir.IB-406
26	KADF0616	BOLT FLANGED M6X1	2	N.I.
27	JV402204	CABLE ASSY ST RELAY TO MOTOR	1	



Sr. No.	Part No.	Description	QTY.	Remarks
1	DM221013	KIT -TOOL WITH VALUE ENGG. TOOLS	1	



Sr. No.	Part No.	Description	QTY.	Remarks
1	PF113008	STEP REAR LH	1	
2	PF113009	FOOTREST THIRD RH	1	
3	39129804	SCREW - HEXAGON SOCKET HEAD CAP:- M8	2	
4	JB231206	BOLT - HEX SOCKET HEAD	2	
5	DZ221003	GUARD - LEG	1	
6	KADF0885	BOLT FLANGED M8X1.25	1	
7	KCGa0808	NUT HEX FLANGED	1	
8	DF221054	GUARD - SARI	1	

## Boxer BM 100 ES

## 47. Painted Set With Decals



Sr. No.	Part No.	Description	QTY.	Remarks
1	52DM0551	TANK EB.BLACK WITH DKL BOXER S ES	1	
2	52DM0552	TANK FLAME RED WITH DECAL BOXER S ES	1	
3	52DM0553	TANK ELEC.BLUE WITH DECAL BOXER S ES	1	
4	52DM0558	SD.CVR LH EB BLK DKL BXR S ES	1	
5	52DM0561	SD.CVR LH FLAME RED DKL BXR S ES	1	
6	52DM0564	SD.CVR LH EL.BLU DKL BXR S ES	1	
7	52DM0559	SD.CVR RH EB BLK DKL BXR S ES	1	
8	52DM0562	SD.CVR RH FLAME RED DKL BXR S ES	1	
9	52DM0565	SD.CVR RH EL.BLU DKL BXR S ES	1	
10	DF161242	FENDER ASSEMBLY - FRONT	1	
11	36DM0007	KIT TANK DCL EBONY BLACK	1	
12	36DM0008	KIT TANK DCL FLAME RED	1	

## Boxer BM 100 ES

## 47. Painted Set With Decals



Sr. No.	Part No.	Description	QTY.	Remarks
13	36DM0009	KIT TANK DCL ELECTRON BLUE	1	
14	DM161210	DECAL COVER SIDE LH	1	
15	DM161211	DECAL COVER SIDE RH	1	

